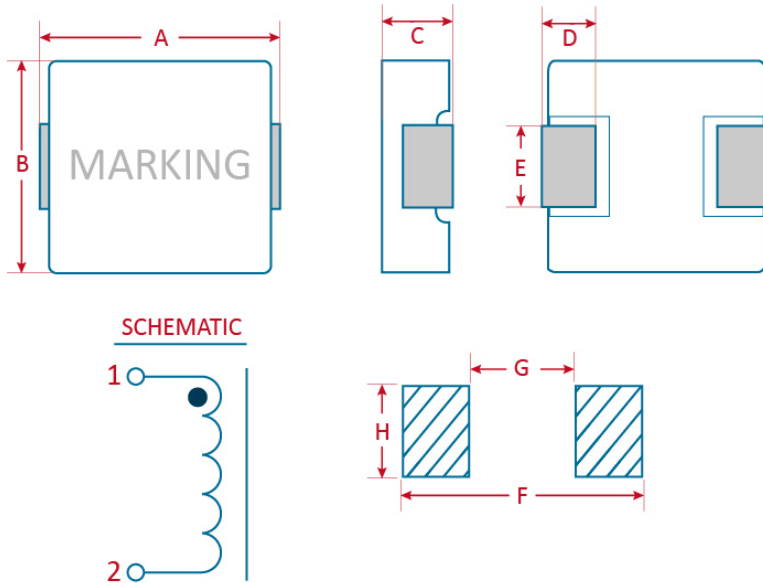


SPECIFICATION FOR APPROVED
樣品承認書

2022
 NEW

機構圖 Shape and Dimensions(mm):



Item	A	B	C	D	E	F	G	H
SAR5012	5.5±0.2	5.2±0.2	1.0±0.2	1.02±0.3	2.5±0.3	5.99Typ.	2.16Typ.	2.79Typ.

印字Marking：印字顏色因生產設備而有所差異

SAR5012

Part No.	L(uH)	DCR(mΩ)		Isat(A)	Irms(A)	Tolerance (±%)
		Typ.	Max.	Typ.	Typ.	
SAR5012MT1R0	1.0	27.6	31.8	9.0	5.7	±20%
SAR5012MT2R2	2.2	55.0	66.0	5.2	4.0	±20%
SAR5012MT4R7	4.7	130.0	156.0	4.0	2.5	±20%
SAR5012MT100	10.0	272.0	326.0	2.5	1.8	±20%

SPECIFICATION FOR APPROVED 樣品承認書

HT 宏信科技股份有限公司
HT-TECH CORPORATION

2022
NEW

Ordering information

SAR - 5012 - MT- R22

(1) (2) (3)(4) (5)

(1) Type : Power Choke

(2) Size : 5012 is size

(3) Tolerance : M=20%

(4) Packaging style : Taping Reel

(5) Inductance : R22 for 0.22uH,1R0 for 1.00uH,2R2 for 2.2uH...

Characteristics

- All test data is referred to 25°C ambient.

- Isat : DC current (A) that will cause Lo to drop approximately 30% (Typical)

- Irms : DC current (A)that will cause an approximate ΔT of 40°C (Typical)

- Operating temperature range : -55°C to +125°C

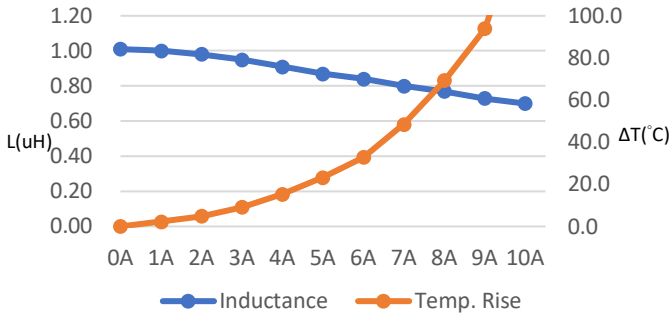
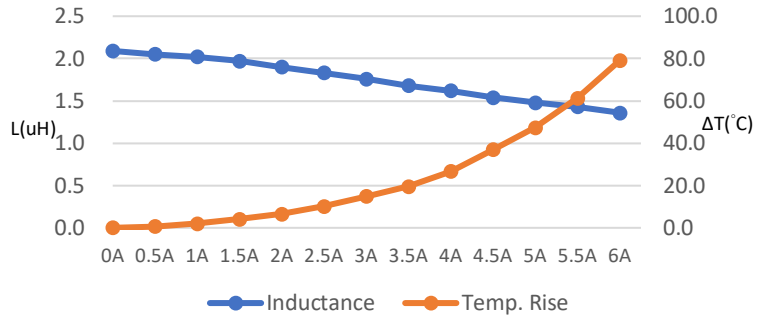
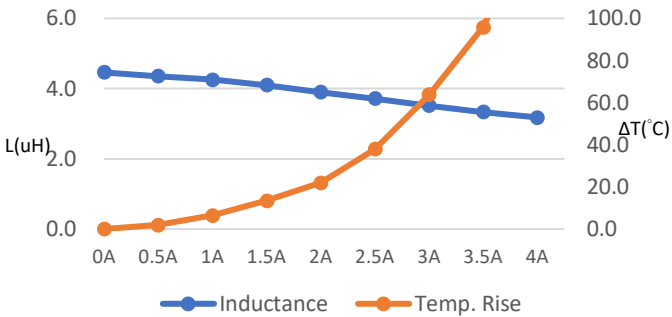
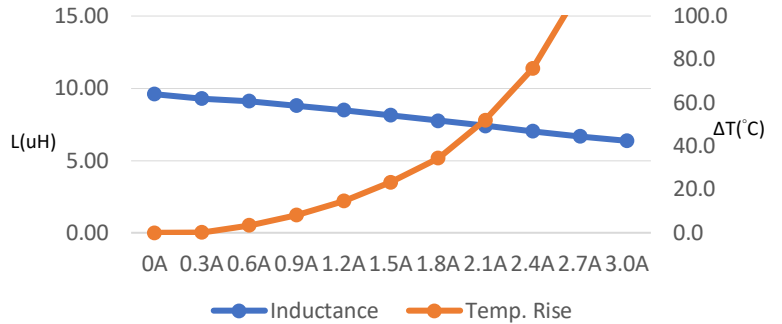
註 : Absolute maximum voltage 30VDC

Test equipment

- Test Frequency : 100KHz ,0.25 V

- WK3260B+WK3265B

- CH-502

SAR5012MT1R0

SAR5012MT2R2

SAR5012MT4R7

SAR5012MT100

SAR5012MT1R0

DC BIAS	0A	1A	2A	3A	4A	5A	6A	7A	8A	9A	10A
Inductance	1.01	1.00	0.98	0.95	0.91	0.87	0.84	0.80	0.77	0.73	0.70
Temp. Rise	0.0	2.2	4.8	9.1	15.3	23.3	32.8	48.5	69.3	93.9	150.5

SAR5012MT2R2

DC BIAS	0A	0.5A	1A	1.5A	2A	2.5A	3A	3.5A	4A	4.5A	5A	5.5A	6A
Inductance	2.09	2.05	2.02	1.97	1.90	1.83	1.76	1.68	1.62	1.54	1.48	1.43	1.36
Temp. Rise	0.0	0.6	2.0	4.1	6.6	10.1	14.8	19.6	26.6	37.0	47.3	61.3	79.1

SAR5012MT4R7

DC BIAS	0A	0.5A	1A	1.5A	2A	2.5A	3A	3.5A	4A
Inductance	4.46	4.35	4.25	4.10	3.90	3.72	3.52	3.33	3.18
Temp. Rise	0.0	1.9	6.4	13.4	21.9	37.9	63.8	95.8	149.9

SAR5012MT100

DC BIAS	0A	0.3A	0.6A	0.9A	1.2A	1.5A	1.8A	2.1A	2.4A	2.7A	3.0A
Inductance	9.59	9.29	9.10	8.81	8.48	8.14	7.76	7.40	7.02	6.68	6.36
Temp. Rise	0.0	0.2	3.4	8.2	14.7	23.3	34.5	52.0	75.8	112.1	144.9

料袋圖

