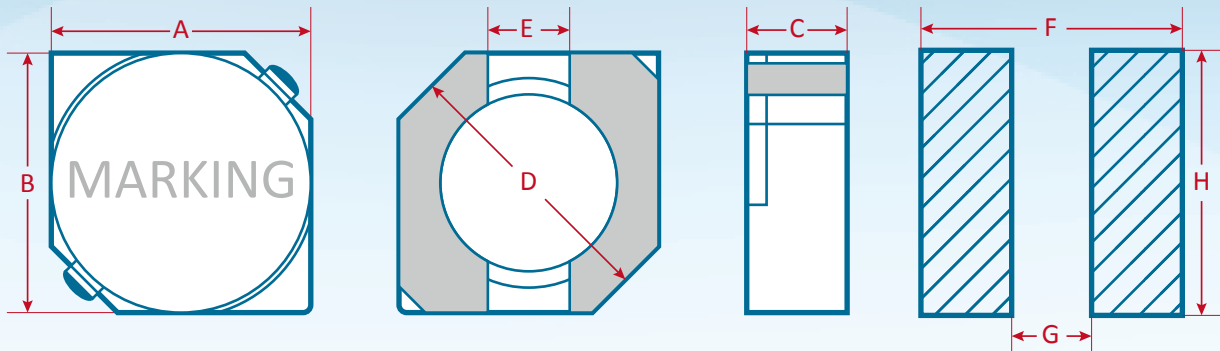


SPC2 Series

SMD Power Inductor

Shape and Dimensions(mm):



| Item | A | B | C | D | E | F | G | H |
|---------|---------|---------|----------|-----|----------|----------|----------|----------|
| SPC4D18 | 4.7±0.3 | 4.7±0.3 | 2.0 Max. | 6.9 | 1.4 Ref. | 5.0 Typ. | 1.5 Typ. | 5.3 Typ. |
| SPC4D28 | 4.7±0.3 | 4.7±0.3 | 3.0 Max. | 6.9 | 1.4 Ref. | 5.3 Typ. | 1.5 Typ. | 5.3 Typ. |

SPC4D18

| Part No. | Inductance (uH) | Test Freq. | DCR(Ω) Max. | Idc(A) Max. | Tolerance (±%) |
|--------------|-----------------|-----------------|-------------|-------------|----------------|
| SPC4D18NT1R0 | 1.0 | 100 KHz / 0.25V | 0.045 | 1.72 | 30 |
| SPC4D18NT2R2 | 2.2 | 100 KHz / 0.25V | 0.075 | 1.32 | 30 |
| SPC4D18NT3R3 | 3.3 | 100 KHz / 0.25V | 0.11 | 1.04 | 30 |
| SPC4D18MT4R7 | 4.7 | 100 KHz / 0.25V | 0.162 | 0.84 | 20 |
| SPC4D18NT5R6 | 5.6 | 100 KHz / 0.1V | 0.17 | 0.8 | 30 |
| SPC4D18MT6R8 | 6.8 | 100 KHz / 0.25V | 0.2 | 0.76 | 20 |
| SPC4D18NT8R2 | 8.2 | 100 KHz / 0.1V | 0.195 | 0.65 | 30 |
| SPC4D18MT100 | 10 | 1.0 KHz / 0.25V | 0.26 | 0.61 | 20 |
| SPC4D18NT120 | 12 | 100 KHz / 0.1V | 0.21 | 0.56 | 30 |
| SPC4D18NT180 | 18 | 100 KHz / 0.1V | 0.338 | 0.48 | 30 |
| SPC4D18MT220 | 22 | 1.0 KHz / 0.25V | 0.397 | 0.41 | 20 |
| SPC4D18MT270 | 27 | 1.0 KHz / 0.25V | 0.441 | 0.35 | 20 |
| SPC4D18MT330 | 33 | 1.0 KHz / 0.25V | 0.5 | 0.3 | 20 |
| SPC4D18NT390 | 39 | 100 KHz / 0.1V | 0.709 | 0.3 | 30 |
| SPC4D18MT470 | 47 | 100 KHz / 0.25V | 0.992 | 0.28 | 20 |
| SPC4D18NT560 | 56 | 100 KHz / 0.1V | 1.08 | 0.26 | 30 |
| SPC4D18MT680 | 68 | 1.0 KHz / 0.25V | 1.3 | 0.24 | 20 |
| SPC4D18NT820 | 82 | 100 KHz / 0.1V | 1.56 | 0.22 | 30 |
| SPC4D18MT101 | 100 | 1.0 KHz / 0.25V | 1.73 | 0.2 | 20 |
| SPC4D18NT121 | 120 | 100 KHz / 0.1V | 2.39 | 0.18 | 30 |
| SPC4D18NT151 | 150 | 100 KHz / 0.1V | 2.67 | 0.15 | 30 |
| SPC4D18NT181 | 180 | 1.0 KHz / 0.25V | 4.0 | 0.14 | 30 |

SPC4D28

| Part No. | Inductance (uH) | Test Freq. | DCR(Ω) Max. | Idc(A) Max. | Tolerance ($\pm\%$) |
|--------------|-----------------|-----------------|----------------------|-------------|-----------------------|
| SPC4D28NT1R0 | 1.0 | 100 KHz / 0.25V | 0.02 | 2.65 | 30 |
| SPC4D28NT2R2 | 2.2 | 100 KHz / 0.25V | 0.031 | 2.04 | 30 |
| SPC4D28NT3R3 | 3.3 | 100 KHz / 0.25V | 0.049 | 1.57 | 30 |
| SPC4D28NT4R7 | 4.7 | 100 KHz / 0.25V | 0.072 | 1.32 | 30 |
| SPC4D28NT5R6 | 5.6 | 100 KHz / 0.25V | 0.101 | 1.17 | 30 |
| SPC4D28NT6R8 | 6.8 | 100 KHz / 0.25V | 0.109 | 1.12 | 30 |
| SPC4D28NT8R2 | 8.2 | 100 KHz / 0.25V | 0.118 | 1.04 | 30 |
| SPC4D28NT100 | 10 | 1.0 KHz / 0.25V | 0.128 | 1.0 | 30 |
| SPC4D28NT120 | 12 | 1.0 KHz / 0.25V | 0.132 | 0.84 | 30 |
| SPC4D28NT150 | 15 | 1.0 KHz / 0.25V | 0.149 | 0.76 | 30 |
| SPC4D28NT180 | 18 | 1.0 KHz / 0.25V | 0.166 | 0.72 | 30 |
| SPC4D28NT220 | 22 | 1.0 KHz / 0.25V | 0.235 | 0.7 | 30 |
| SPC4D28NT270 | 27 | 1.0 KHz / 0.25V | 0.261 | 0.58 | 30 |
| SPC4D28NT330 | 33 | 1.0 KHz / 0.25V | 0.331 | 0.56 | 30 |
| SPC4D28NT390 | 39 | 1.0 KHz / 0.25V | 0.384 | 0.5 | 30 |
| SPC4D28NT470 | 47 | 1.0 KHz / 0.25V | 0.587 | 0.48 | 30 |
| SPC4D28NT560 | 56 | 1.0 KHz / 0.25V | 0.625 | 0.41 | 30 |
| SPC4D28NT680 | 68 | 1.0 KHz / 0.25V | 0.699 | 0.35 | 30 |
| SPC4D28NT820 | 82 | 1.0 KHz / 0.25V | 0.915 | 0.32 | 30 |
| SPC4D28NT101 | 100 | 1.0 KHz / 0.25V | 1.02 | 0.29 | 30 |
| SPC4D28NT121 | 120 | 1.0 KHz / 0.25V | 1.27 | 0.27 | 30 |
| SPC4D28NT151 | 150 | 1.0 KHz / 0.25V | 1.35 | 0.24 | 30 |
| SPC4D28NT181 | 180 | 1.0 KHz / 0.25V | 1.54 | 0.22 | 30 |
| SPC4D28NT221 | 220 | 1.0 KHz / 0.25V | 1.96 | 0.21 | 30 |
| SPC4D28MT331 | 330 | 1.0 KHz / 0.25V | 2.1 | 0.2 | 20 |
| SPC4D28MT391 | 390 | 1.0 KHz / 0.25V | 2.2 | 0.14 | 20 |

Ordering information

SPC - 4D18 - N - T - 1R0

(1) (2) (3) (4) (5)

- (1) Type : Surface Mountable Type
- (2) Size : 4D is 4.7mm square, 18 is about 1.8mm height and 28 is about 2.8mm height
- (3) Tolerance : M=20%, N=30%
- (4) Packaging style : Taping Reel
- (5) Inductance : 1R0 for 1.0uH, 100 for 10uH, 101 for 100uH...

Characteristics

- IDC $\Delta L/L(0A) \leq 35\%$
- Operating temperature : -40 to 125°C

Test equipment

- L : TH2816A, TH2816B
- DCR : GOM-801H

Packing

