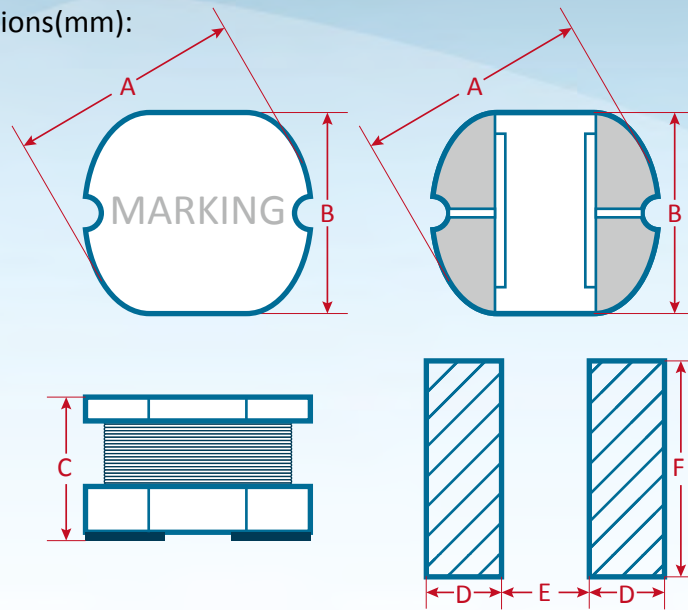


LTR Series

Unshielded SMT Power Inductor

Shape and Dimensions(mm):



Item	A	B	C	D	E	F
LTR0703	7.8±0.3	7.0±0.3	3.5±0.5	3.0 Typ.	2.0 Typ.	7.5 Typ.
LTR0705	7.8±0.3	7.0±0.3	5.0±0.5	3.0 Typ.	2.0 Typ.	7.5 Typ.

LTR0703

Part No.	Inductance (uH)	Test Freq. (0.25V)	DCR(mΩ) Max.	Rated Current(A) Max.	Tolerance (±%)
LTR0703NT1R5	1.5	7.96 MHz	15	5.0	30
LTR0703MT2R2	2.2	7.96 MHz	22	4.0	20
LTR0703MT3R3	3.3	7.96 MHz	24.5	3.0	20
LTR0703MT4R7	4.7	7.96 MHz	33	1.5	20
LTR0703MT6R8	6.8	7.96 MHz	47	1.5	20
LTR0703KT100	10	2.52 MHz	80.3	1.44	10
LTR0703KT120	12	2.52 MHz	89.7	1.39	10
LTR0703KT150	15	2.52 MHz	104	1.24	10
LTR0703KT180	18	2.52 MHz	111	1.12	10
LTR0703KT220	22	2.52 MHz	129	1.07	10
LTR0703KT270	27	2.52 MHz	153	0.94	10
LTR0703KT330	33	2.52 MHz	170	0.85	10
LTR0703KT390	39	2.52 MHz	217	0.74	10
LTR0703KT470	47	2.52 MHz	252	0.68	10
LTR0703KT560	56	2.52 MHz	282	0.64	10
LTR0703KT680	68	2.52 MHz	332	0.59	10
LTR0703KT820	82	2.52 MHz	406	0.54	10
LTR0703KT101	100	1.0 KHz	481	0.51	10
LTR0703KT121	120	1.0 KHz	536	0.49	10
LTR0703KT151	150	1.0 KHz	755	0.4	10
LTR0703KT181	180	1.0 KHz	1022	0.36	10
LTR0703KT221	220	1.0 KHz	1200	0.31	10
LTR0703KT271	270	1.0 KHz	1306	0.29	10
LTR0703KT331	330	1.0 KHz	1495	0.28	10
LTR0703KT801	800	15 KHz	2400	0.38	10

LTR0705



Part No.	Inductance (uH)	Test Freq. (0.25V)	DCR(mΩ) Max.	Rated Current(A) Max.	Tolerance (±%)
LTR0705MT1R0	1.0	7.96 MHz	12	8.0	20
LTR0705MT2R2	2.2	7.96 MHz	20	5.0	20
LTR0705MT3R3	3.3	7.96 MHz	22	5.0	20
LTR0705MT4R7	4.7	7.96 MHz	30	4.0	20
LTR0705MT6R8	6.8	7.96 MHz	70	3.0	20
LTR0705KT100	10	2.52 MHz	70	2.3	10
LTR0705KT120	12	2.52 MHz	80	2.0	10
LTR0705KT150	15	2.52 MHz	90	1.8	10
LTR0705KT180	18	2.52 MHz	100	1.6	10
LTR0705KT220	22	2.52 MHz	110	1.5	10
LTR0705KT270	27	2.52 MHz	120	1.3	10
LTR0705KT330	33	2.52 MHz	130	1.2	10
LTR0705KT390	39	2.52 MHz	160	1.1	10
LTR0705KT470	47	2.52 MHz	180	1.1	10
LTR0705KT560	56	2.52 MHz	240	0.94	10
LTR0705KT680	68	2.52 MHz	280	0.85	10
LTR0705KT820	82	2.52 MHz	370	0.78	10
LTR0705KT101	100	1.0 KHz	430	0.72	10
LTR0705KT121	120	1.0 KHz	470	0.66	10
LTR0705KT151	150	1.0 KHz	640	0.58	10
LTR0705KT181	180	1.0 KHz	710	0.51	10
LTR0705KT221	220	1.0 KHz	960	0.49	10
LTR0705KT271	270	1.0 KHz	1110	0.42	10
LTR0705KT331	330	1.0 KHz	1260	0.4	10
LTR0705KT391	390	1.0 KHz	1770	0.36	10
LTR0705KT471	470	1.0 KHz	1960	0.34	10
LTR0705KT102	1000	100 KHz / 0.1V	3300	0.20	10

Ordering information
LTR - 0703 - K - T - 100
(1) (2) (3) (4) (5)

- (1) Type : Surface Mountable Type
- (2) Size : 0703 is size
- (3) Tolerance : K=10%
- (4) Packaging style : Taping Reel
- (5) Inductance : 100 for 10uH, 101 for 100uH...

Characteristics

- Rated Current : It is either the inductance is 10% lower than its initial value in DC. saturation characteristics or temperature raise becomes $\Delta T=40^{\circ}\text{C}$ ($T_a=20^{\circ}\text{C}$), whichever is lower.
- Operating temperature -30°C to 105°C

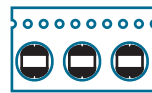
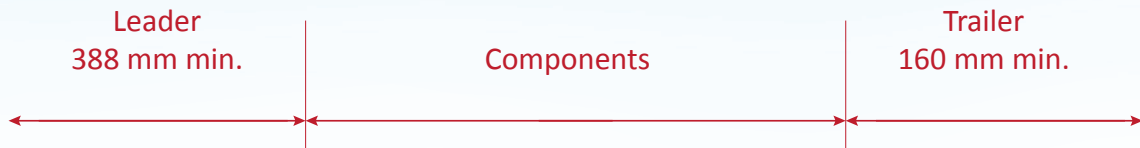
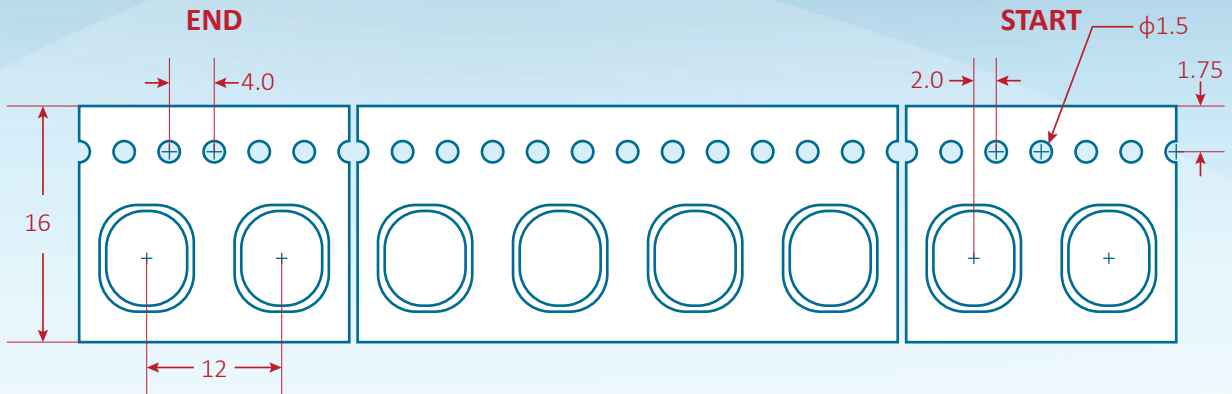
Test equipment

- Inductance measured at 0A_{dc} on HP 4284A LCR meter or equivalent
- DCR measured on Chroma 16502 micro-ohmmeter or equivalent
- Electrical specifications at 25°C

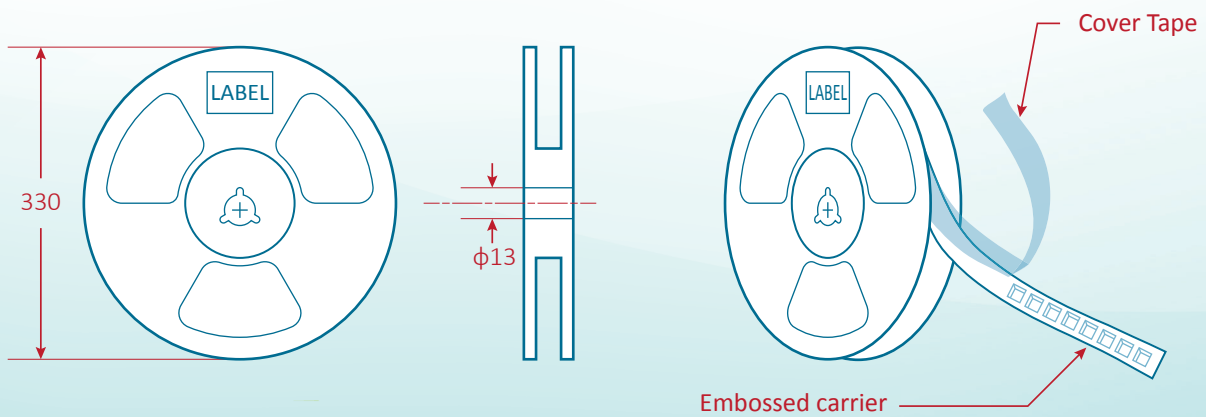


Packing

Dimensions in mm



Bottom View



	Reel		Reel
LTR0703	Q'ty(Pcs) 1,000	LTR0705	Q'ty(Pcs) 1,000