

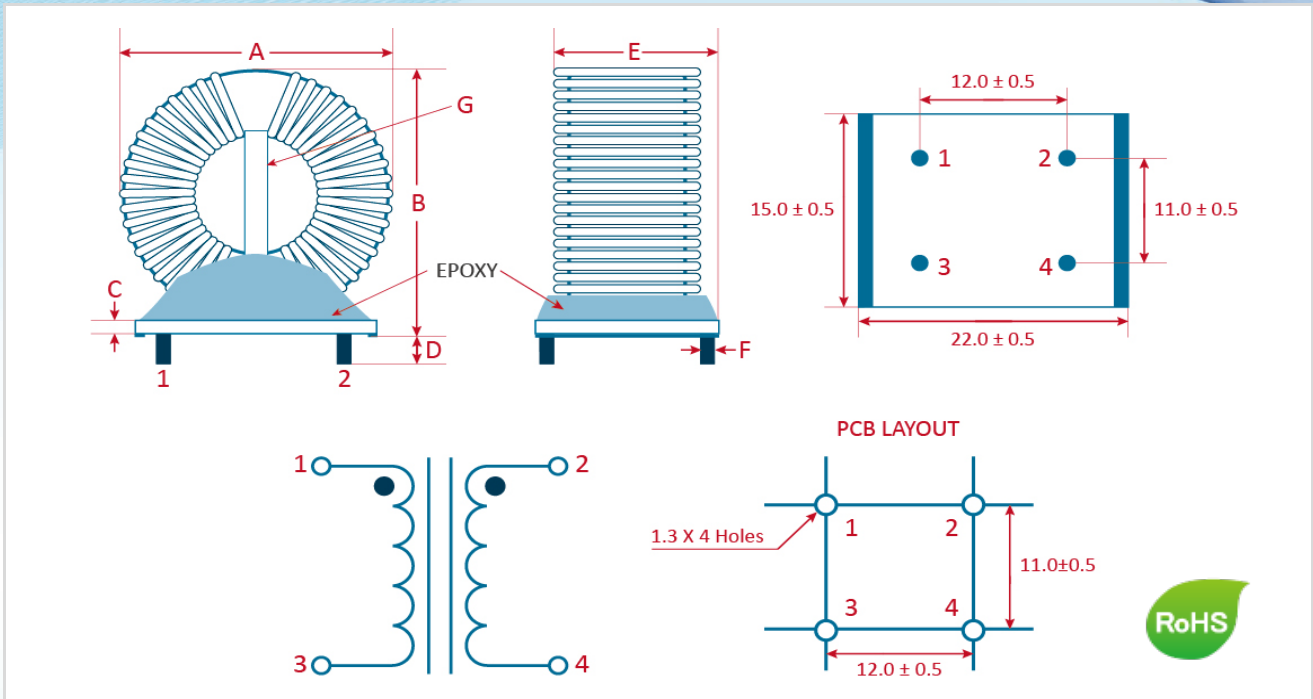


# SPECIFICATION FOR APPROVED 樣品承認書

2023  
NEW

料號 P/N : LFT2916-3MH-5A-B

## 機構圖 Shape and Dimensions(mm) :



Item	A	B	C	D	E	F	G
規格 Spec.	29.0 Max.	27.5 Max.	1.6 ± 0.2	3.8 ± 0.5	16.0 Max.	0.8 ± 0.1	3.0 Min.
實測值 Typ.							

## 電特性要求 Electrical Characteristics :

Item	規格 Specifications	定義Note
L1-3=L2-4	3.0 mH MIN.	
Test Freq	@1kHz / 0.25V	
DCR1-3=DCR2-4	36mΩ Max.	
R.Current	5A Max.	
HI-POT TEST	COILS -- COILS 1500VAC / 3mA / 1sec	
WIRE	0.80mm 1UEW	
TURNS	26.5 Ts (REF.) X 2	
Oper. Temp	-25°C to +100°C	