

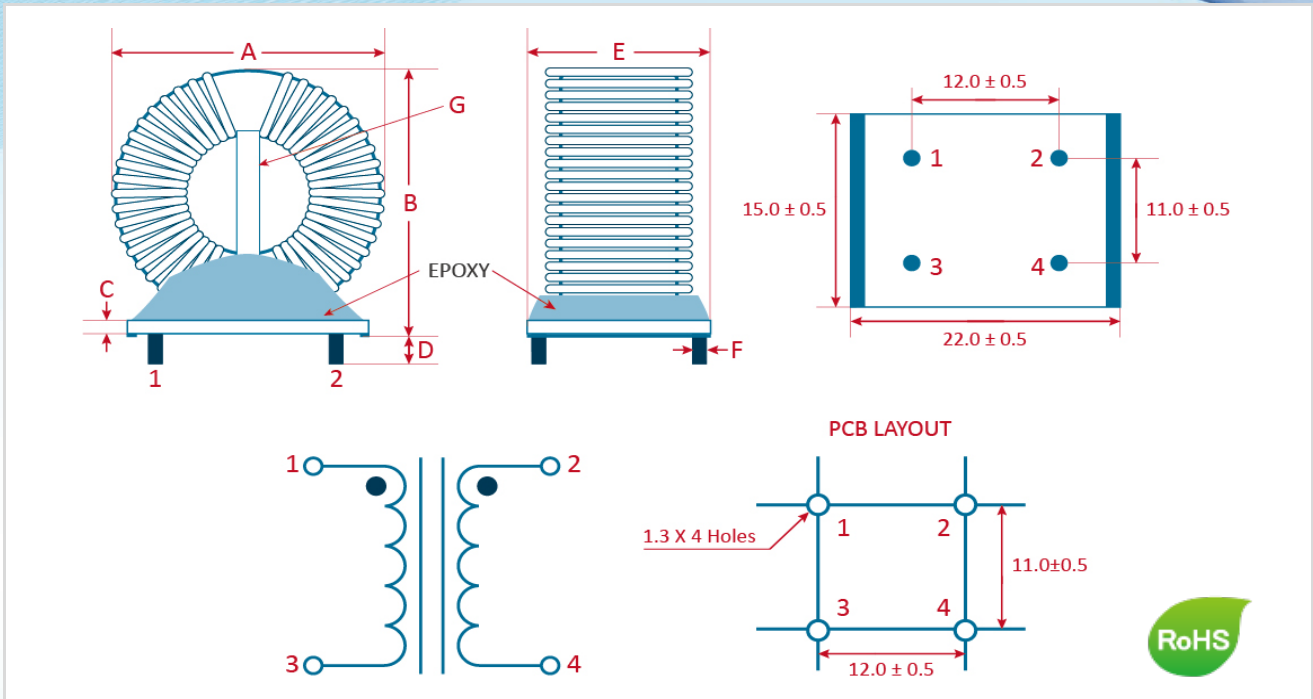


SPECIFICATION FOR APPROVED  
**樣品承認書**

2023  
 NEW

料號 P/N : LFT2915-1.6MH-7A-B

**機構圖 Shape and Dimensions(mm) :**



Item	A	B	C	D	E	F	G
規格 Spec.	29.0 Max.	28.0 Max.	1.6 ± 0.1	3.8 ± 0.5	15.5 Max.	1.0 ± 0.1	3.0 Min
實測值 Typ.							

**電特性要求 Electrical Characteristics :**

Item	規格 Specifications	定義Note
L1-3=L2-4	1.6 mH MIN.	
Test Freq	@1kHz / 0.25V	
DCR1-3=DCR2-4	100mΩ Max.	
R.Current	7A Max.	
HI-POT TEST	COILS -- COILS 1500VAC / 1mA / 60s	
I.R TEST	COILS -- COILS 100MΩ MIN	
WIRE	1.00mm 1UEW	
TURNS	19.5 Ts (REF.) X 2	
Oper. Temp	-25°C to +100°C	