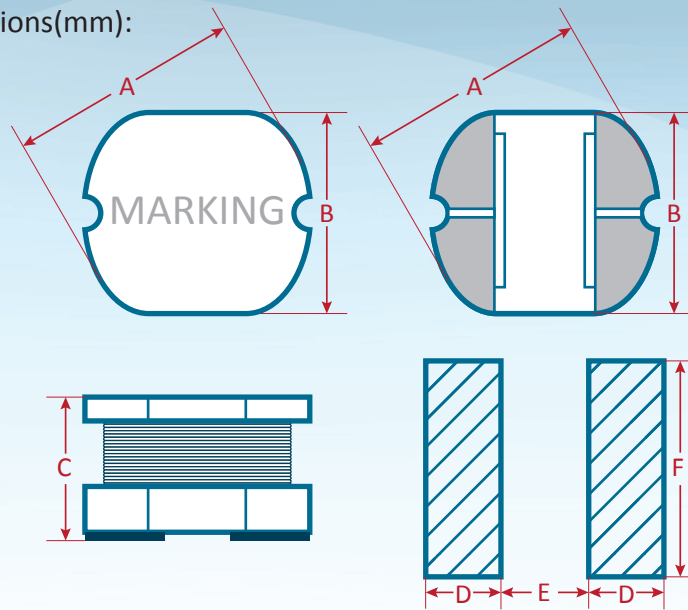


LTR Series

Unshielded SMT Power Inductor

Shape and Dimensions(mm):



Item	A	B	C	D	E	F
LTR0403	4.5±0.3	4.0±0.3	3.2±0.3	1.75 Typ.	1.5 Typ.	4.5 Typ.

LTR0403

Part No.	Inductance (uH)	Test Freq. (0.25V)	DCR(mΩ) Max.	Rated Current(A) Max.	Tolerance (±%)
LTR0403NTR50	0.5	100 KHz	33	3.7	30
LTR0403MT1R0	1.0	7.96 MHz	48.7	2.56	20
LTR0403MT1R4	1.4	7.96 MHz	56.2	2.52	20
LTR0403MT1R8	1.8	7.96 MHz	63.7	1.95	20
LTR0403MT2R2	2.2	7.96 MHz	71.2	3.0	20
LTR0403MT2R7	2.7	7.96 MHz	78.7	1.58	20
LTR0403MT3R3	3.3	7.96 MHz	86.2	1.44	20
LTR0403MT3R9	3.9	7.96 MHz	93.7	1.33	20
LTR0403KT4R7	4.7	100 KHz	76	1.98	10
LTR0403MT5R6	5.6	7.96 MHz	125.7	0.99	20
LTR0403MT6R8	6.8	7.96 MHz	131.2	0.95	20
LTR0403MT8R2	8.2	7.96 MHz	146.2	0.84	20
LTR0403MT100	10	2.52 MHz	182	1.04	20
LTR0403MT120	12	2.52 MHz	210	0.97	20
LTR0403KT150	15	100 KHz	210	1.18	10
LTR0403MT180	18	2.52 MHz	338	0.74	20
LTR0403MT220	22	2.52 MHz	378	0.68	20
LTR0403MT270	27	2.52 MHz	522	0.62	20
LTR0403KT330	33	2.52 MHz	540	0.56	10
LTR0403KT390	39	2.52 MHz	587	0.52	10
LTR0403KT470	47	2.52 MHz	844	0.44	10
LTR0403KT560	56	2.52 MHz	937	0.42	10
LTR0403KT680	68	2.52 MHz	1117	0.37	10

Ordering information

LTR - 0403 - M - T - 1R0

(1) (2) (3) (4) (5)

- (1) Type : Surface Mountable Type
- (2) Size : 0403 is size
- (3) Tolerance : M=20%, K=10%
- (4) Packaging style : Taping Reel
- (5) Inductance : 1R0 for 1.0uH, 100 for 10uH...

Characteristics

- Rated Current : It is either the inductance is 10% lower than its initial value in DC. saturation characteristics or temperature raise becomes $\Delta T=40^{\circ}\text{C}$ ($T_a=20^{\circ}\text{C}$), whichever is lower.
- Operating temperature -30°C to 105°C

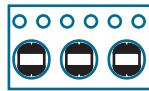
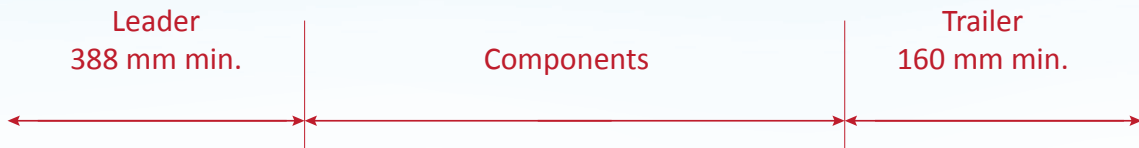
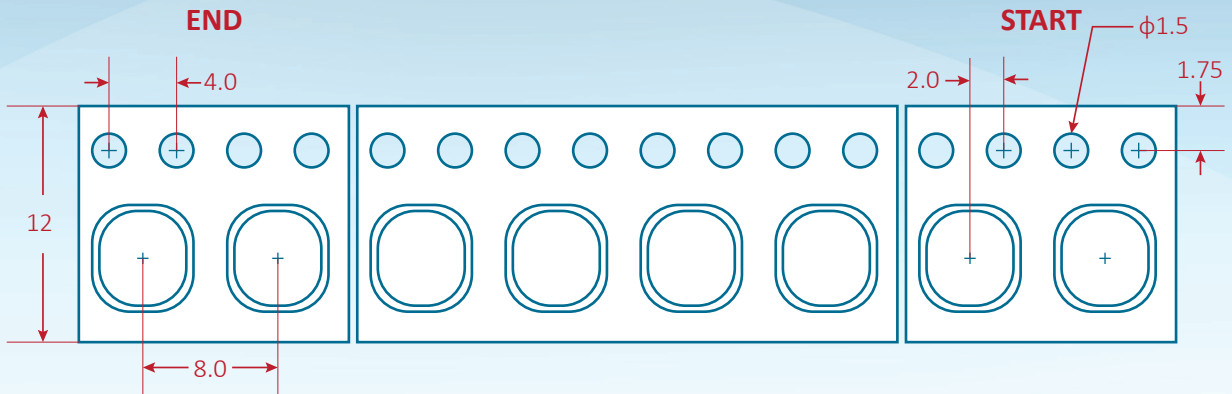
Test equipment

- Inductance measured at 0A_{dc} on HP 4284A LCR meter or equivalent
- DCR measured on Chroma 16502 micro-ohmmeter or equivalent
- Electrical specifications at 25°C

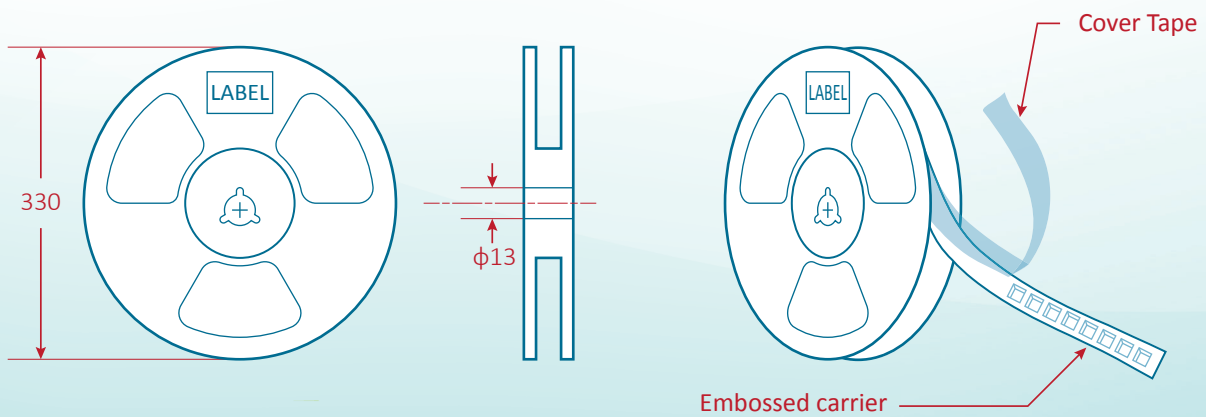


Packing

Dimensions in mm



Bottom View



Reel

Q'ty(Pcs)
2,000