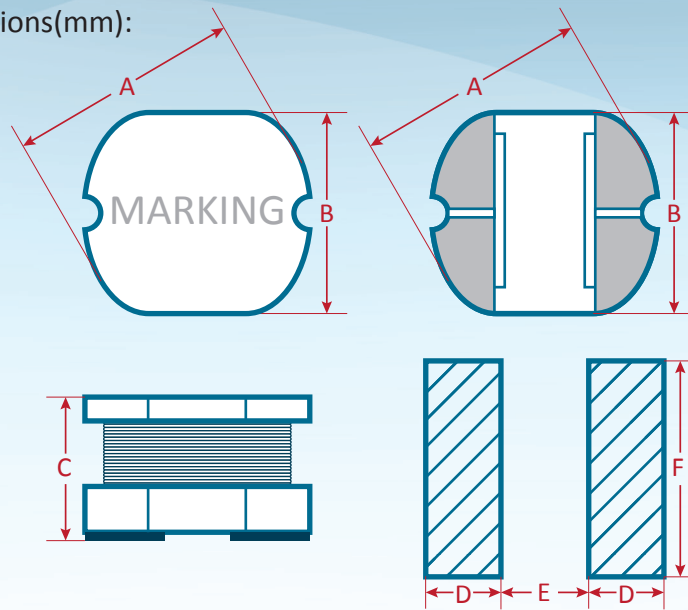


LTR Series

Unshielded SMT Power Inductor

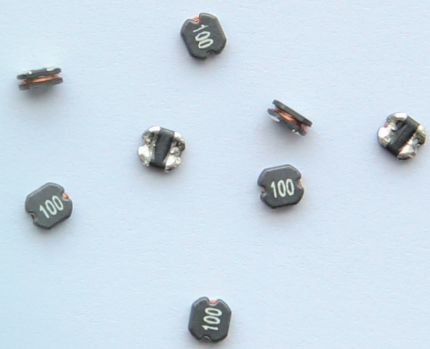
Shape and Dimensions(mm):



Item	A	B	C	D	E	F
LTR0301	3.5±0.3	3.0±0.3	1.1±0.3	1.6 Typ.	0.8 Typ.	3.5 Typ.
LTR0302	3.5±0.3	3.0±0.3	2.0±0.3	1.6 Typ.	0.8 Typ.	3.5 Typ.

LTR0301

Part No.	Inductance (uH)	Test Freq. (0.1V)	DCR(mΩ) Max.	Rated Current(A) Max.	Tolerance (±%)
LTR0301MT2R2	2.2	100 KHz	240	1.2	20
LTR0301MT3R3	3.3	100 KHz	270	1.08	20
LTR0301MT4R7	4.7	100 KHz	300	1.0	20
LTR0301MT6R8	6.8	100 KHz	470	0.8	20
LTR0301MT8R2	8.2	100 KHz	520	0.76	20
LTR0301MT100	10	100 KHz	550	0.7	20
LTR0301MT120	12	100 KHz	750	0.6	20
LTR0301MT150	15	100 KHz	910	0.5	20
LTR0301MT220	22	100 KHz	1200	0.4	20
LTR0301MT270	27	100 KHz	1500	0.36	20



LTR0301

LTR0302  

Part No.	Inductance (uH)	Test Freq. (0.25V)	DCR(mΩ) Max.	Rated Current(A) Max.	Tolerance (±%)
LTR0302MT1R0	1.0	7.96 MHz	45	2.2	20
LTR0302MT1R2	1.2	7.96 MHz	50	2.1	20
LTR0302MT1R5	1.5	7.96 MHz	55	1.7	20
LTR0302MT1R8	1.8	7.96 MHz	70	1.65	20
LTR0302MT2R2	2.2	7.96 MHz	85	1.6	20
LTR0302MT2R7	2.7	7.96 MHz	100	1.4	20
LTR0302MT3R3	3.3	7.96 MHz	120	1.04	20
LTR0302MT3R9	3.9	7.96 MHz	125	1.0	20
LTR0302MT4R7	4.7	7.96 MHz	135	1.0	20
LTR0302MT5R6	5.6	7.96 MHz	145	0.95	20
LTR0302MT6R8	6.8	7.96 MHz	200	0.95	20
LTR0302MT8R2	8.2	7.96 MHz	230	1.09	20
LTR0302MT100	10	2.52 MHz	320	0.9	20
LTR0302MT120	12	2.52 MHz	350	0.85	20
LTR0302MT150	15	2.52 MHz	460	0.75	20
LTR0302MT180	18	2.52 MHz	520	0.7	20
LTR0302KT220	22	100 KHz/1V	650	0.7	10
LTR0302KT270	27	2.52 MHz	750	0.55	10
LTR0302KT330	33	2.52 MHz	0	.5	
LTR0302KT390	39	2.52 MHz	1120	0.48	10
LTR0302KT470	47	2.52 MHz	1270	0.45	10
LTR0302KT560	56	2.52 MHz	1500	0.3	10
LTR0302KT680	68	2.52 MHz	2000	0.26	10
LTR0302KT820	82	2.52 MHz	2150	0.23	10
LTR0302KT101	100	1.0 KHz	2800	0.2	10
LTR0302KT121	120	1.0 KHz	3400	0.18	10
LTR0302KT151	150	1.0 KHz	4200	0.16	10
LTR0302KT181	180	1.0 KHz	4500	0.15	10
LTR0302KT221	220	1.0 KHz	5700	0.14	10
LTR0302KT271	270	1.0 KHz	8500	0.1	10
LTR0302KT331	330	1.0 KHz	9500	0.09	10

Ordering information
LTR - 0301 - M - T - 2R2
(1) (2) (3) (4) (5)

- (1) Type : Surface Mountable Type
- (2) Size : 0301 is size
- (3) Tolerance : M=20%, K=10%
- (4) Packaging style : Taping Reel
- (5) Inductance : 1R0 for 1.0uH, 100 for 10uH, 101 for 100uH...

Characteristics

- Rated Current : It is either the inductance is 10% lower than its initial value in DC. saturation characteristics or temperature raise becomes $\Delta T=40^{\circ}\text{C}$ ($T_a=20^{\circ}\text{C}$), whichever is lower.
- Operating temperature -30°C to 105°C

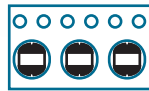
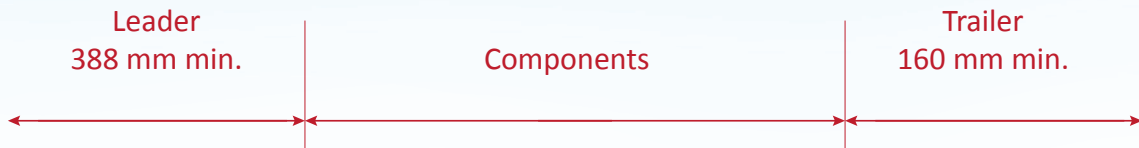
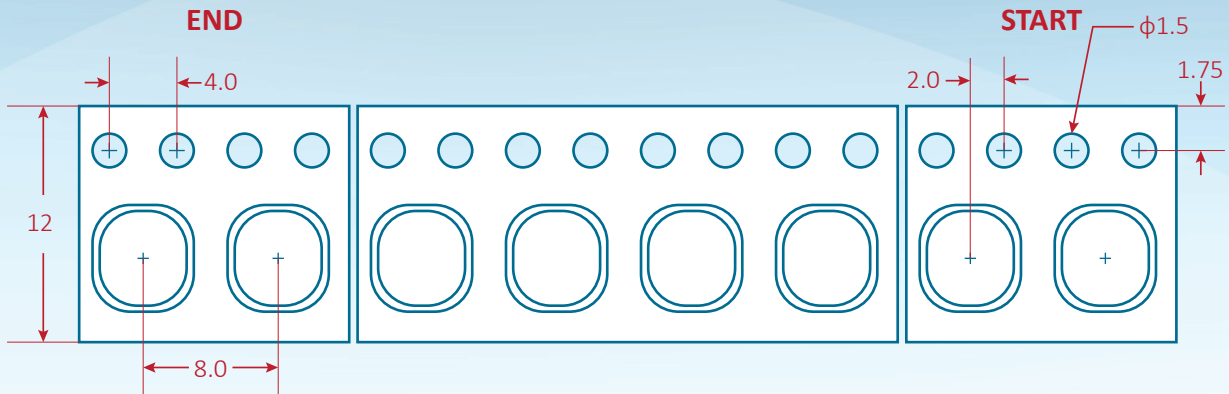
Test equipment

- Inductance measured at 0Adc on HP 4284A LCR meter or equivalent
- DCR measured on Chroma 16502 micro-ohmmeter or equivalent
- Electrical specifications at 25°C

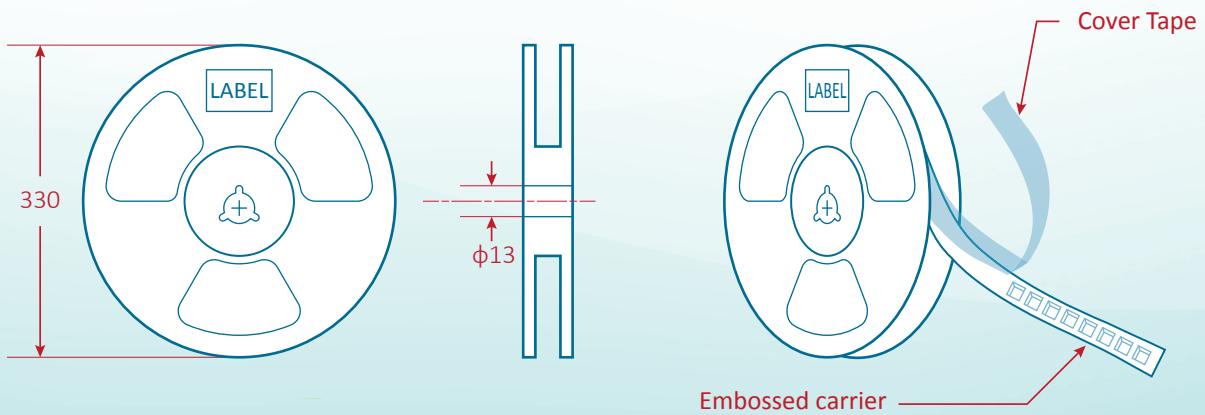
LTR0302

Packing

Dimensions in mm



Bottom View



	Reel		Reel
LTR0301	Q'ty(Pcs) 3,000	LTR0302	Q'ty(Pcs) 3,000