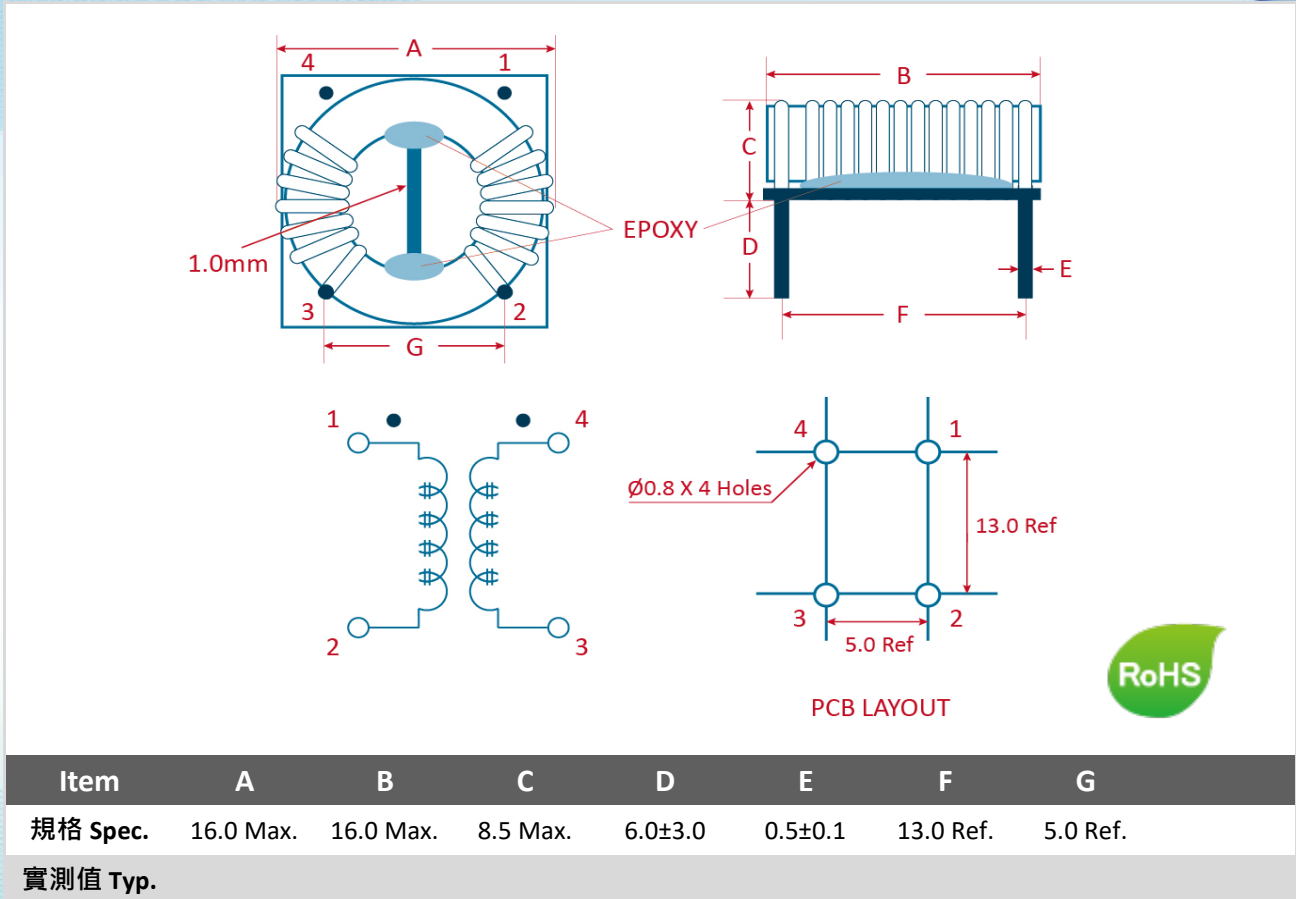


SPECIFICATION FOR APPROVED 樣品承認書

2023
NEW

料號 P/N : LFT1385-222N-3A-L-B

機構圖 Shape and Dimensions(mm) :



電特性要求 Electrical Characteristics :

Item	規格 Specifications	定義Note
L1-2=L4-3	2.2 mH ± 30%	
Test Freq	@10kHz / 0.05V	
DCR1-2=DCR4-3	75 mΩ Max.	
R.Current	3.0A Max.	
Turns	16 Ts (REF.) X 2	
Oper. Temp	-40°C to +105°C	