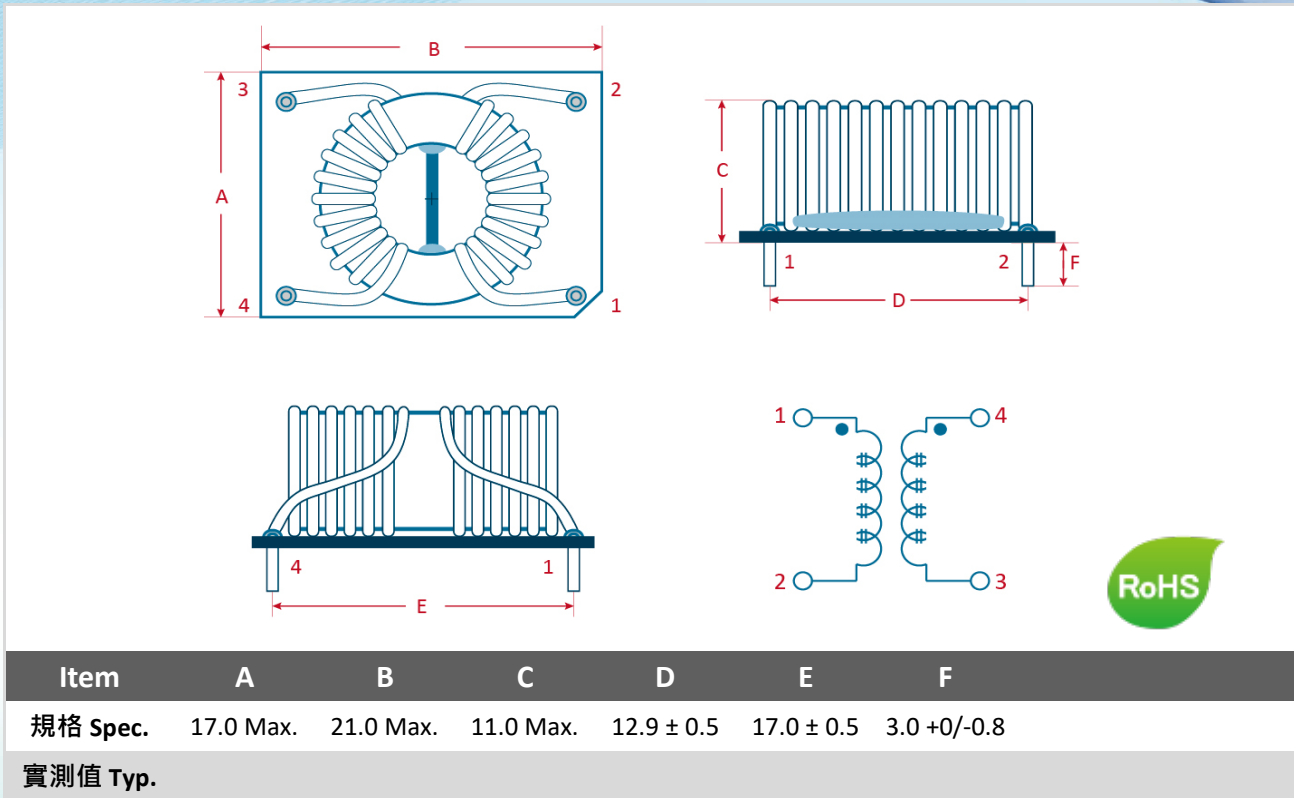


SPECIFICATION FOR APPROVED 樣品承認書

2023
NEW

料號 P/N : LFT2117-102U-4A-L-B

機構圖 Shape and Dimensions(mm) :



電特性要求 Electrical Characteristics :

Item	規格 Specifications	定義 Note
L1-2=L4-3	1.0mH Min	
Test Freq	@1KHz / 0.25V	
DCR1-2=DCR4-3	20mΩ Max.	
R.Current	4A Max.	
HI-POT TEST	COIL-COIL , COIL-CORE AC600V / 5mA / 3sec	
WIRE	0.70mm 2UEWF	
Turns	12Ts X2 (Ref.)	
Oper. Temp	-40°C to +105°C	