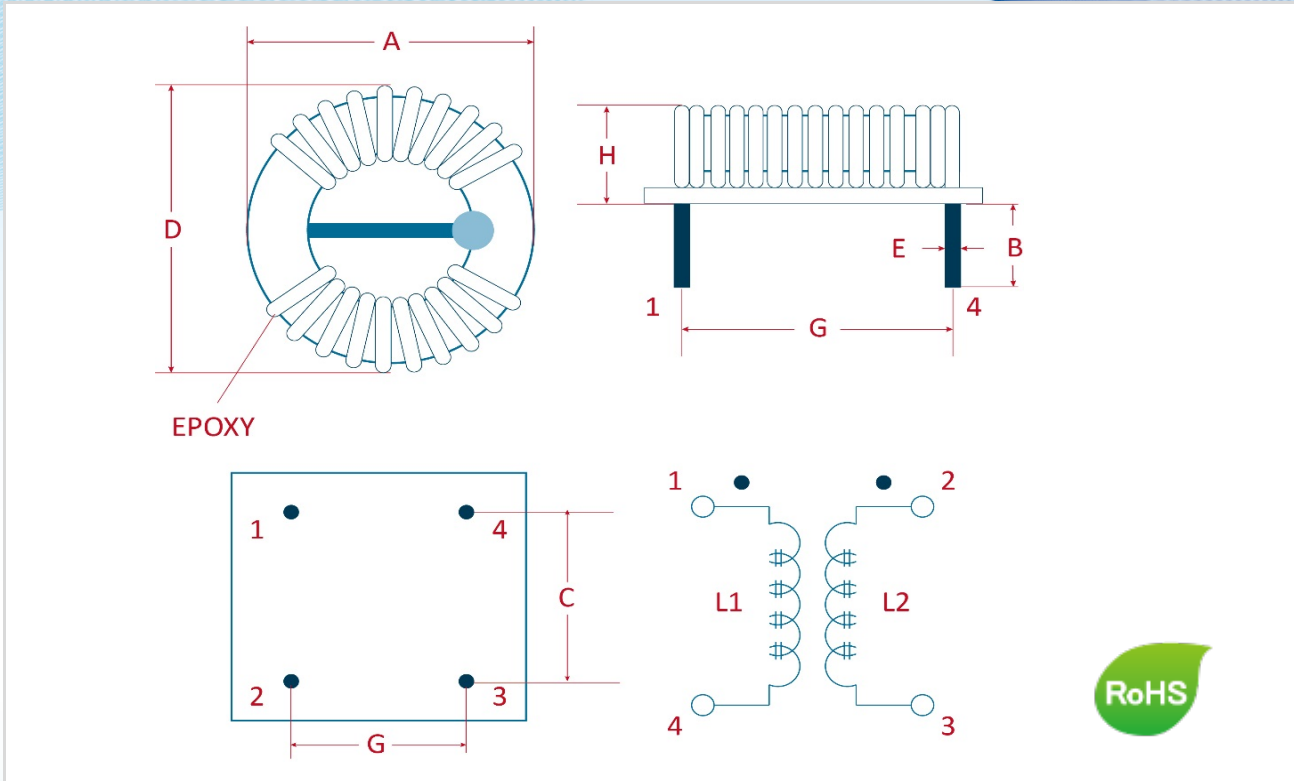


SPECIFICATION FOR APPROVED 樣品承認書

料號 P/N :LFT1206-302U-4A-L1

機構圖 Shape and Dimensions(mm) :



Item	A	B	C	D	E	F	G	H
規格 Spec.	17.5 Max.	10.0 ± 20	10.0 ± 1.5	17.5 Max.	0.60 ± 0.1	1.50 Max.	12.0 ± 1.5	13.0 Max.
實測值 Typ.								

電特性要求 Electrical Characteristics :

Item	規格 Specifications	定義Note
L1=L2	3.0mH MIN.	
Test Freq	@1kHz / 0.25V	
DCR1=DCR2	52mΩ Max.	
R.Current	4A Max.	
Turns	24Ts	
Oper. Temp	-40°C to +105°C	

註：