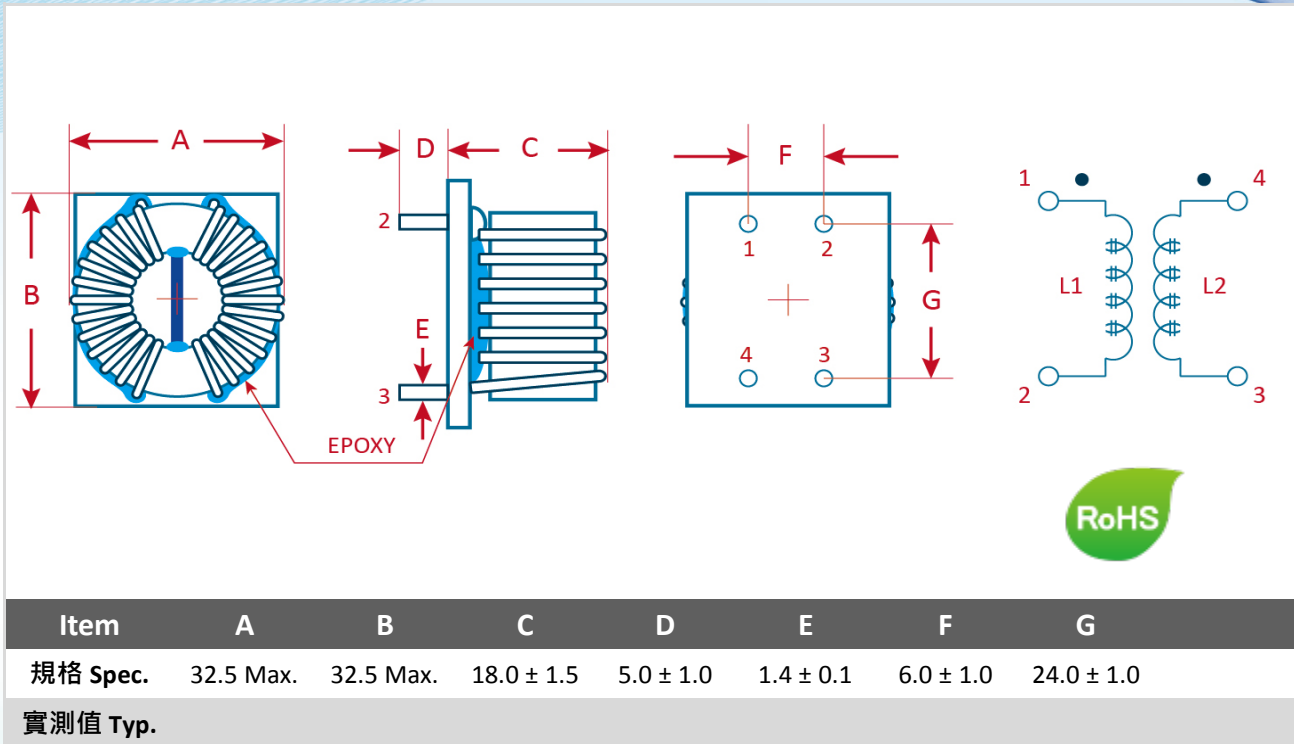


SPECIFICATION FOR APPROVED
樣品承認書

2021
 NEW

料號 P/N : LFT2510-252U-15A-B

機構圖 Shape and Dimensions(mm):



電特性要求 Electrical Characteristics:

Item	規格 Specifications	定義Note
L1=L2	2.5mH Min	
Test Freq	@10kHz/0.05V	
DCR1=DCR2	11.5mΩ Max	
R.Current	15A Max.	
Hi-pot	@AC1500V/3mA/3Sec (L1 TO L2)	
Turns	18 Ts:18 Ts (Ref.)	
Oper. Temp	-25°C to +105°C	

註: