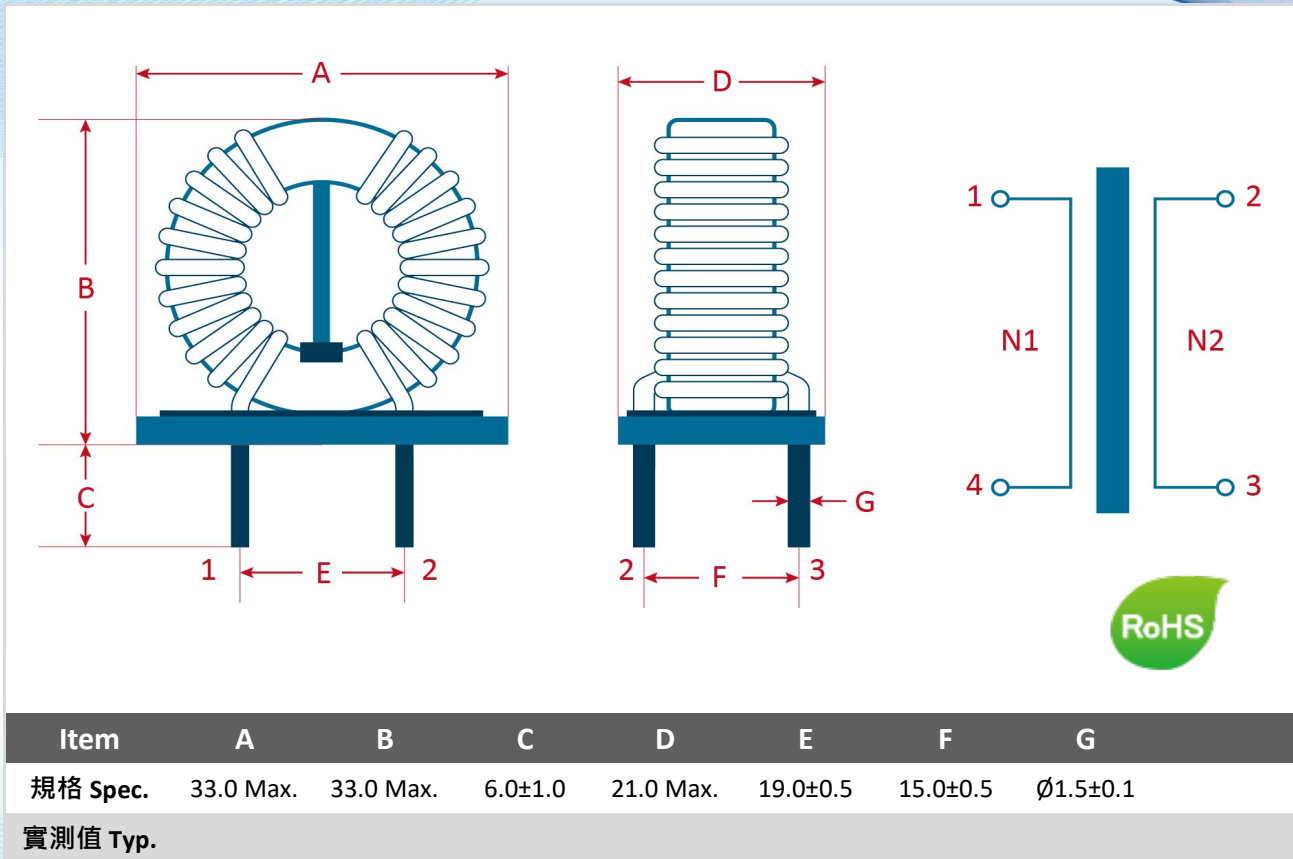


SPECIFICATION FOR APPROVED
樣品承認書

2021
 NEW

料號 P/N : LFT1062-1.6UH-13A

機構圖 Shape and Dimensions(mm) :



電特性要求 Electrical Characteristics :

Item	規格 Specifications	定義Note
L1=L2	1.6 uH Min.	
Test Freq	@1kHz / 0.25V	
DCR1=DCR2	6.5 mΩ Max.	
R.Current	13A Max.	
Turns	10Ts:10Ts (Ref.)	
Oper. Temp	-25°C to +85°C	

註：凡立水含浸