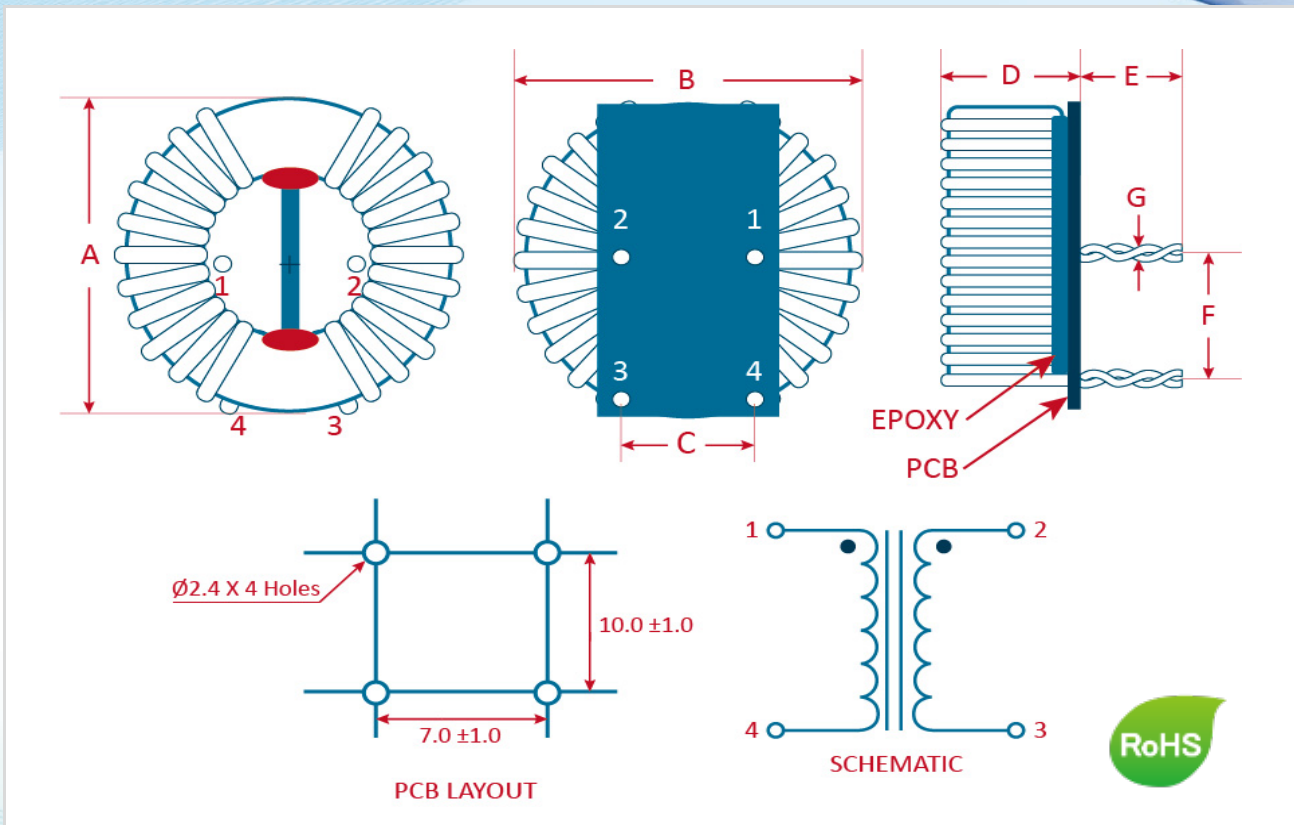


SPECIFICATION FOR APPROVED
樣品承認書

2022
 NEW

料號 P/N : LFT2208-202U-15A-L-B

機構圖 Shape and Dimensions(mm):



Item	A	B	C	D	E	F	G
規格 Spec.	28.0 Max.	28.0 Max.	7.0 ± 1.0	14.0 Max.	10.0 ± 2.0	10.0 ± 1.0	2.2 Max.
實測值 Typ.							

電特性要求 Electrical Characteristics :

Item	規格 Specifications	定義Note
L1=L2	2.0 mH +50%-30%	
Test Freq	@1KHz / 0.25V	
DCR1=DCR2	27mΩ Max.	
R.Current	15A Max.	
Turns	10Ts (Ref.) X2	
Oper. Temp	-40°C to +125°C	