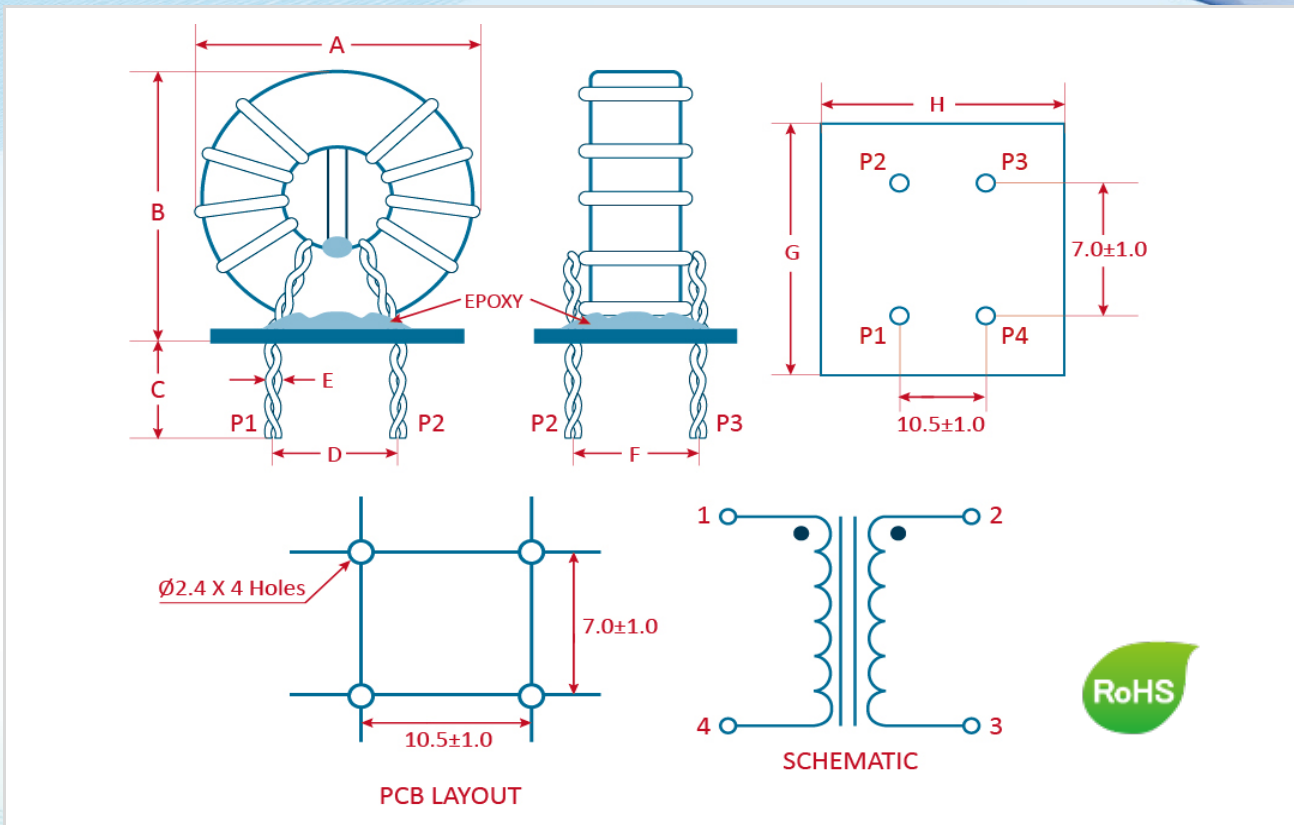


SPECIFICATION FOR APPROVED 樣品承認書

2022
NEW

料號 P/N : LFT1487-470U-15A-B

機構圖 Shape and Dimensions(mm):



Item	A	B	C	D	E	F	G	H
規格 Spec.	21.0 Max.	17.0 Max.	3.4 ± 1.0	7.0 ± 1.0	2.2 Max.	10.5±1.0	16.0 ± 1.0	14.0 ± 1.0
實測值 Typ.								

電特性要求 Electrical Characteristics :

Item	規格 Specifications	定義Note
L1=L2	47uH +50%-30%	
Test Freq	@10KHz / 0.1V	
DCR1=DCR2	4.5mΩ Max.	
R.Current	15A Max.	
Turns	2Ts (Ref.) X2	
Oper. Temp	-40°C to +125°C	