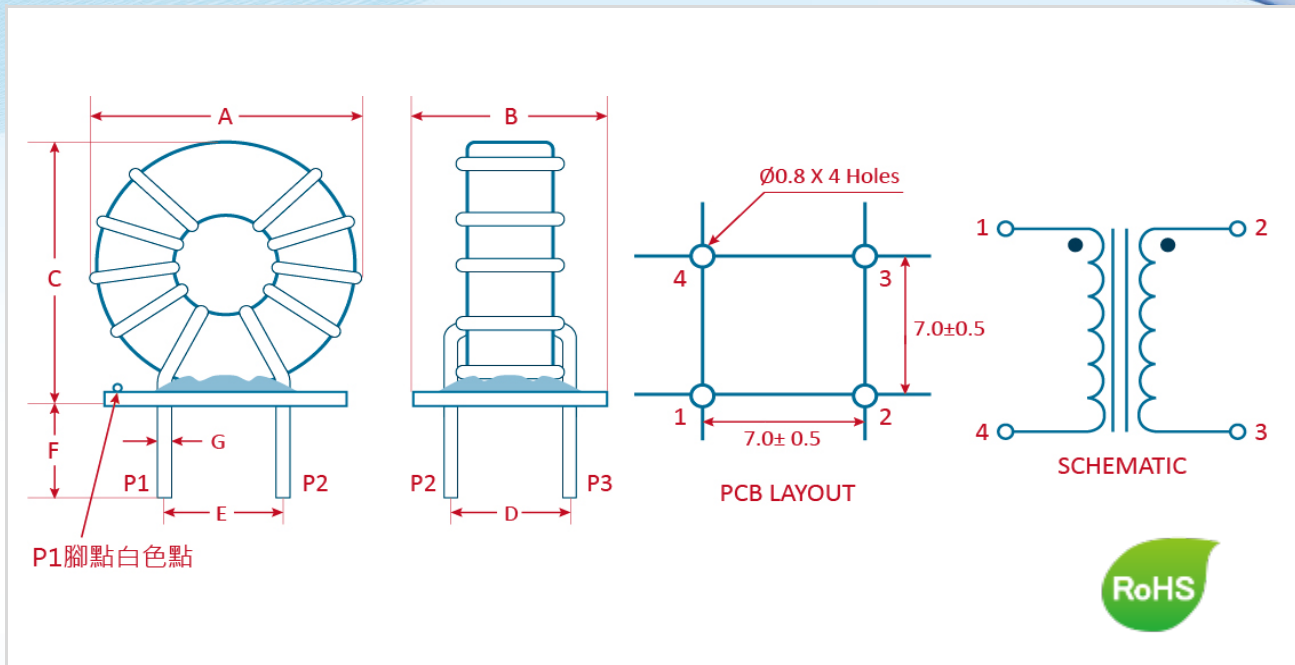


SPECIFICATION FOR APPROVED 樣品承認書

2022
NEW

料號 P/N : LFT905-102U-5A-B

機構圖 Shape and Dimensions(mm) :



Item	A	B	C	D	E	F	G
規格 Spec.	12.0 Max.	10.0 Max.	12.0 Max.	7.0 ± 0.5	7.0 ± 0.5	4.0 ± 0.5	0.65 ± 0.1
實測值 Typ.							

電特性要求 Electrical Characteristics :

Item	規格 Specifications	定義Note
L1=L2	1.0 mH Min.	
Test Freq	@10KHz / 1.0V	
DCR1=DCR2	50mΩ Max.	
R.Current	5A Max.	
Turns	4 Ts (REF.) X 2	
Oper. Temp	-40°C to +125°C	