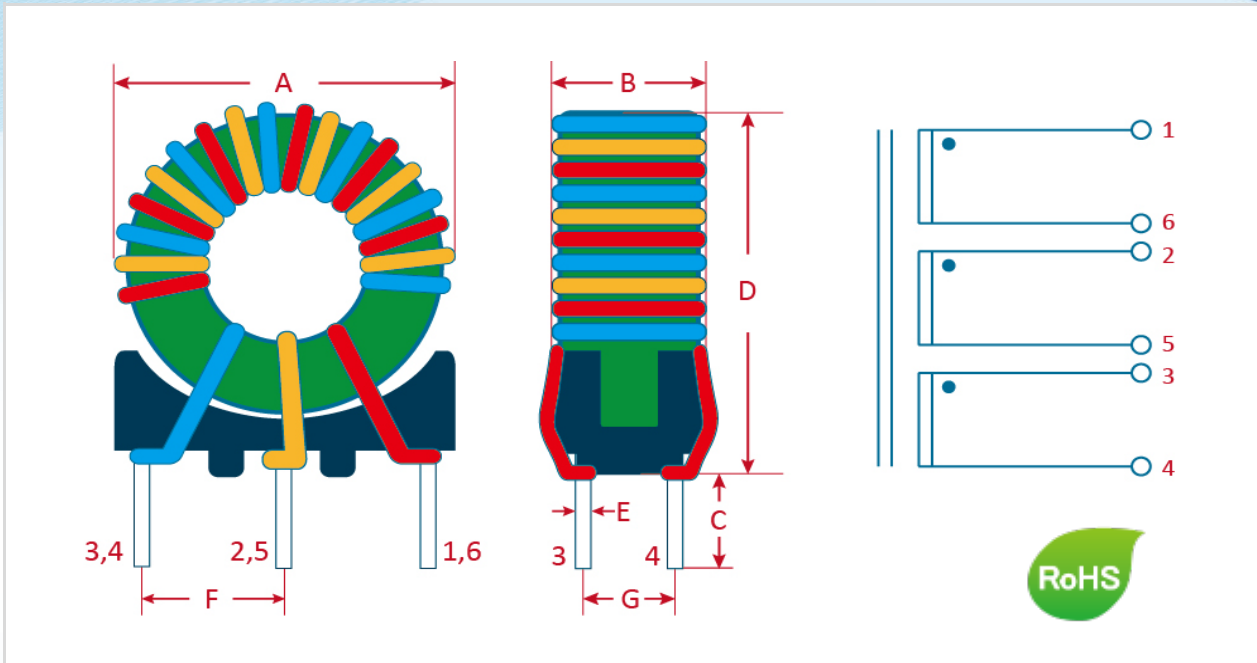


SPECIFICATION FOR APPROVED 樣品承認書

2022
NEW

料號 P/N : LFT2010-102U-6A-B

機構圖 Shape and Dimensions(mm) :



Item	A	B	C	D	E	F	G
規格 Spec.	25.0 Max.	16.0 Max.	3.5 ± 1.0	28.0 Max.	1.0 ± 0.1	7.5 ± 0.2	6.0 ± 0.2
實測值 Typ.							

電特性要求 Electrical Characteristics :

Item	規格 Specifications	定義Note
L1-6 = L2-5 = L3-4	1.0mH Min.	
Test Freq	@1KHz / 0.25V	
DCR1-6 = DCR2-5 = DCR3-4	20mΩ Max.	
R.Current	6A Max.	
Turns	10 Ts (REF.) X 3	
Oper. Temp	-20°C to + 105°C	