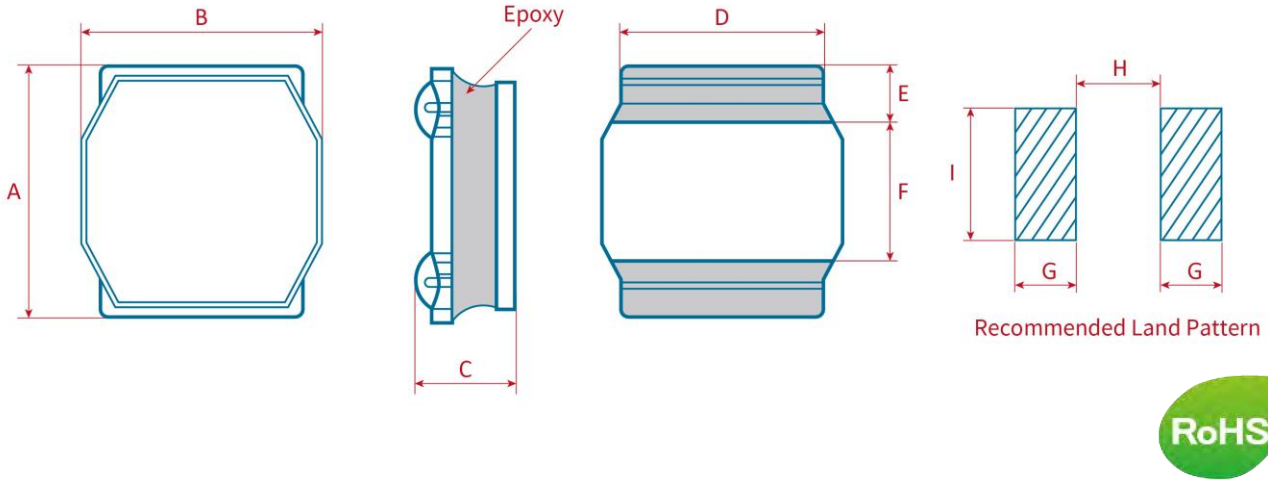


SPECIFICATION FOR APPROVED 樣品承認書

2024
NEW

機構圖 Shape and Dimensions(mm) :



Item	A	B	C	D	E	F	G	H	I
HNT3015MT-M	3.0 ± 0.2	3.0 ± 0.2	1.5 Max.	2.6 Ref.	0.8 Ref.	1.4 Ref.	1.1 Ref.	1.1 Ref.	2.9 Ref.

印字Marking : N/A

HNT3015MT-M

Part No.	L (μH)	DCR (mΩ)	Isat (A)		Irms (A)	
	@1MHz, 1V	Max.	Max.	Typ.	Max.	Typ.
HNT3015MT1R0-M	1.0±20%	60	5.80	6.30	3.00	3.20
HNT3015MT1R5-M	1.5±20%	78	4.40	4.80	2.20	2.50
HNT3015MT2R2-M	2.2±20%	110	3.60	4.00	2.00	2.40
HNT3015MT3R3-M	3.3±20%	156	3.30	3.60	1.80	2.10
HNT3015MT4R7-M	4.7±20%	250	2.70	3.30	1.30	1.50
HNT3015MT6R8-M	6.8±20%	380	1.90	2.30	1.00	1.20
HNT3015MT150-M	15.0±20%	900	1.00	N/A	0.70	N/A

SPECIFICATION FOR APPROVED 樣品承認書



宏信科技股份有限公司
HT-TECH CORPORATION

2024
NEW

Ordering information

HNT-3015-M-T-1R0-M

(1) (2) (3) (4) (5) (6)

(1) Type : Power Inductor

(2) Size : 3015 is size

(3) Tolerance : M=±20% N=±30%

(4) Packaging style : Taping Reel

(5) Inductance : R24 for 0.24μH, 1R0 for 1.0μH, 2R2 for 2.2μH, 100 for 10μH...

(6) Item number : M

Characteristics

- All test data is referenced to 25 °C ambient.

- Isat: DC current(100kHz/1V)at which the inductance drops approximate 35% from its value without current.

- Irms :DC current(100KHz/1V) that will cause an approximate ΔT of 40 °C(reference ambient temperature is 25 °C).

- absolute maximum voltage: DC 25V.

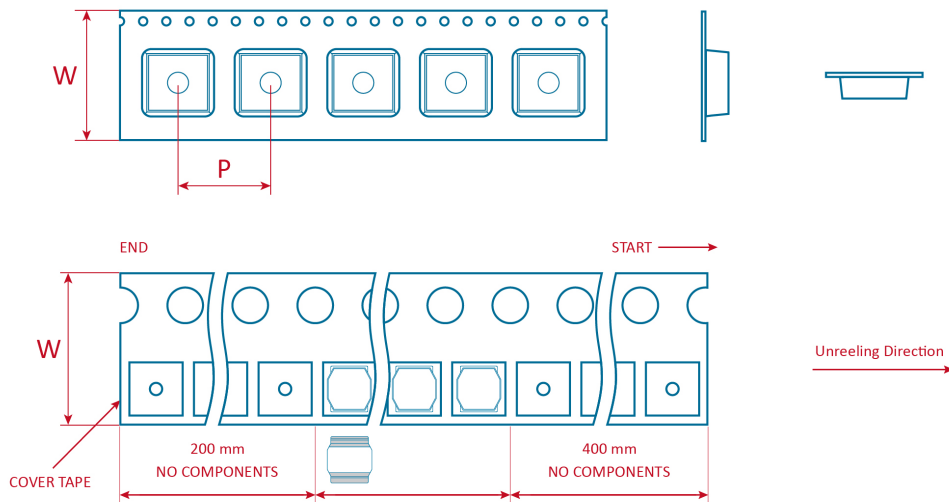
- Operating tempature:-40~+125°C

Test equipment

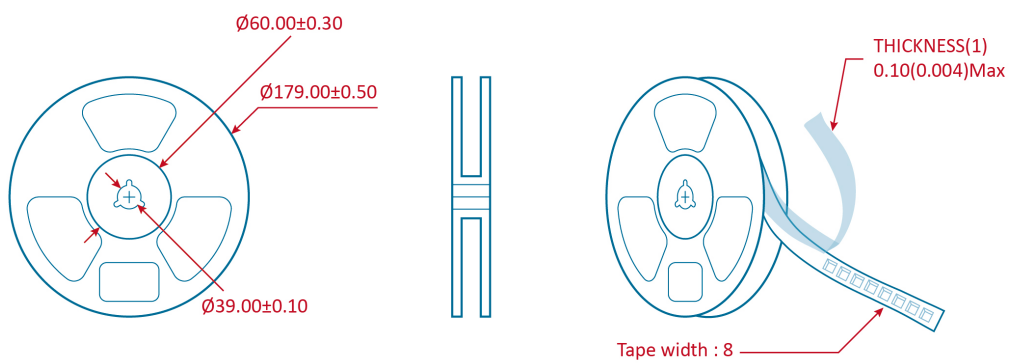
- HP-4285A/CH1062+CH1310/502BC

TAPE AND REEL SPECIFICATIONS

Dimensions in mm



Type	W	P
HNT3015MT-M	8	4



Packing Quantity
2000 Pcs / Reel