

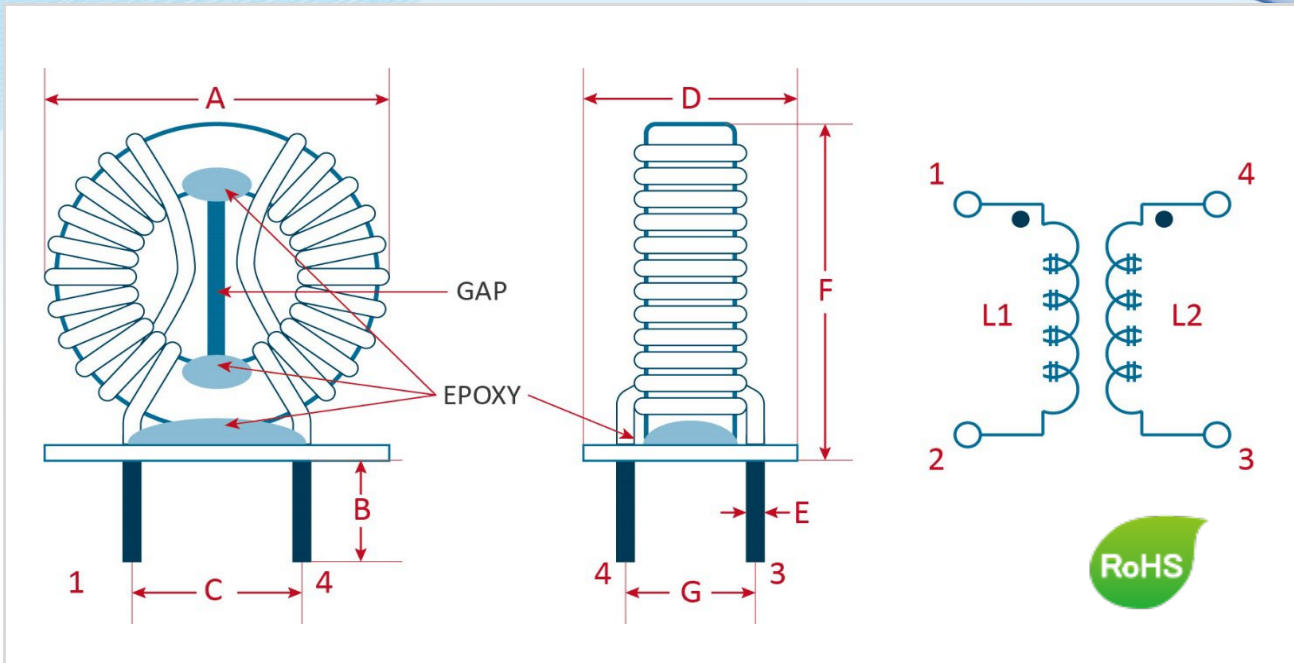


# SPECIFICATION FOR APPROVED 樣品承認書

2022  
NEW

料號 P/N : LFT1810-1.39MH-6A-B

## 機構圖 Shape and Dimensions(mm) :



Item	A	B	C	D	E	F	G
規格 Spec.	23.5 Max.	5.0 ± 2.0	12.0 ± 1.0	17.5 Max.	0.9 ± 0.1	25.0 Max.	11.0 ± 1.0
實測值 Typ.							

## 電特性要求 Electrical Characteristics :

Item	規格 Specifications	定義Note
L1-2 = L4-3	1.39 mH ±30%	
Test Freq	@10KHz / 0.25V	
DCR1-2 = DCR4-3	10mΩ Max.	
R.Current	6A Max.	
HI-POT TEST	COILS -- COILS AC1KV / 5mA / 2s	
Turns	13 Ts (REF.) X 2	
Oper. Temp	-40°C to +105°C	