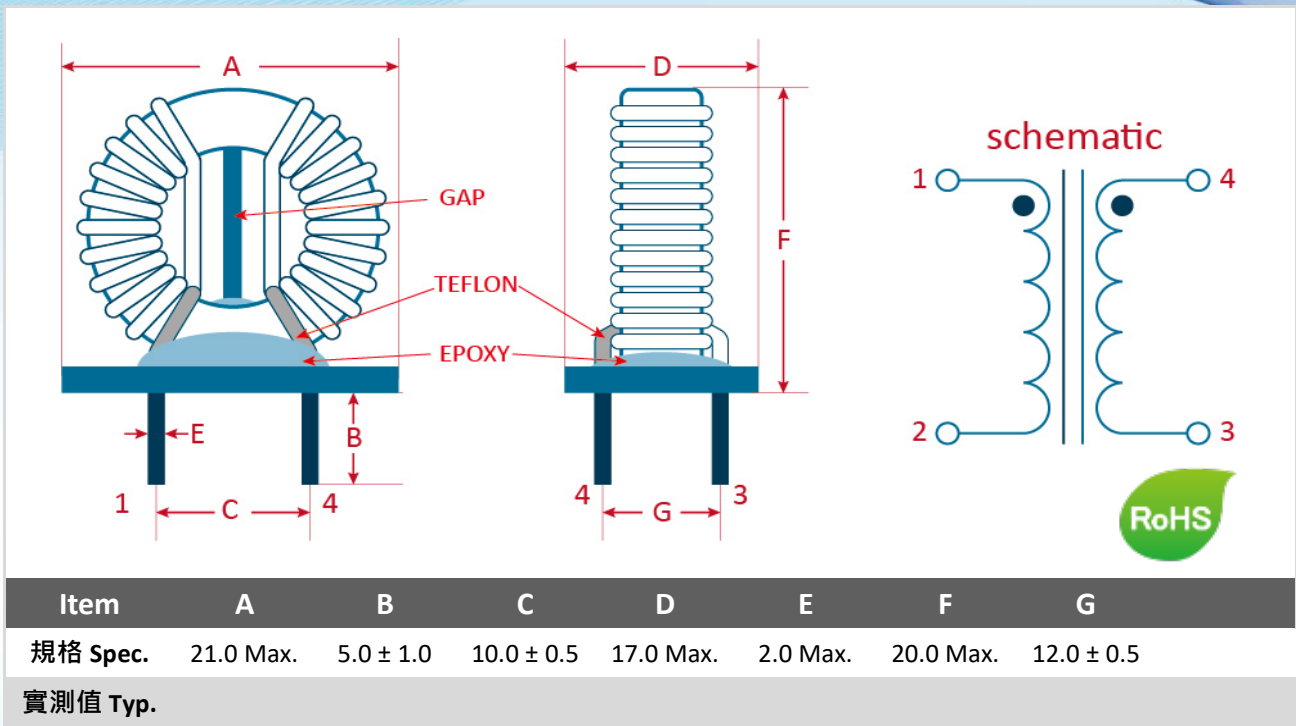


SPECIFICATION FOR APPROVED 樣品承認書

2023
NEW

料號 P/N : LFT1608-451U-15.4A-B

機構圖 Shape and Dimensions(mm) :



電特性要求 Electrical Characteristics :

Item	規格 Specifications	定義Note
L1-2=L4-3	450uH Min	
Test Freq	@10KHz / 0.1V	
DCR1-2=DCR4-3	9.0 mΩ Max.	
R.Current	15.4A Max.	
HI-POT TEST	COILS -- COILS AC1.5KV / 1mA / 3s	
Turns	9Ts (Ref.) X2	
Oper. Temp	-25°C to +85°C	