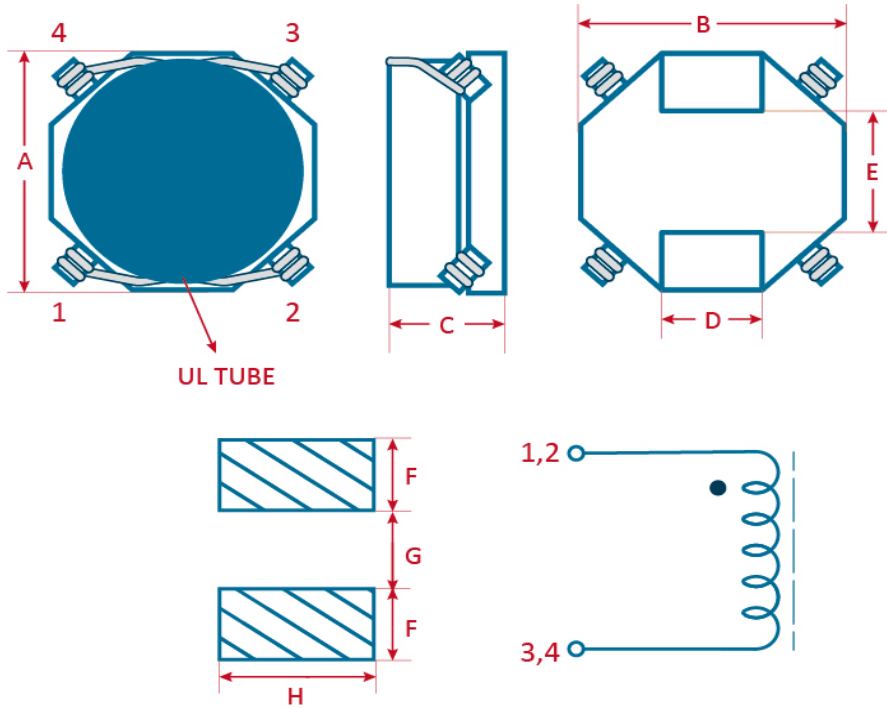


SPECIFICATION FOR APPROVED
樣品承認書

2022
 NEW

料號 P/N : DP1508-101U-8A-UL-SMD

機構圖 Shape and Dimensions(mm) :



Item	A	B	C	D	E	F	G	H
規格 Spec.	15.0 Max.	15.0 Max.	8.0 Max.	5.0 Ref.	7.6 Ref.	2.9 Typ.	7.0 Typ.	5.4 Typ.
實測值 Typ.								

電特性要求 Electrical Characteristics :

Item	規格 Specifications	定義Note
L	100uH +50% -30%	
Test Freq	@1KHz/ 0.25V	
DCR	6.0mΩ Max.	
R.Current	8.0A Max.	
TURNS	3 Ts (Ref.)	
Oper. Temp	-40°C to +105°C	