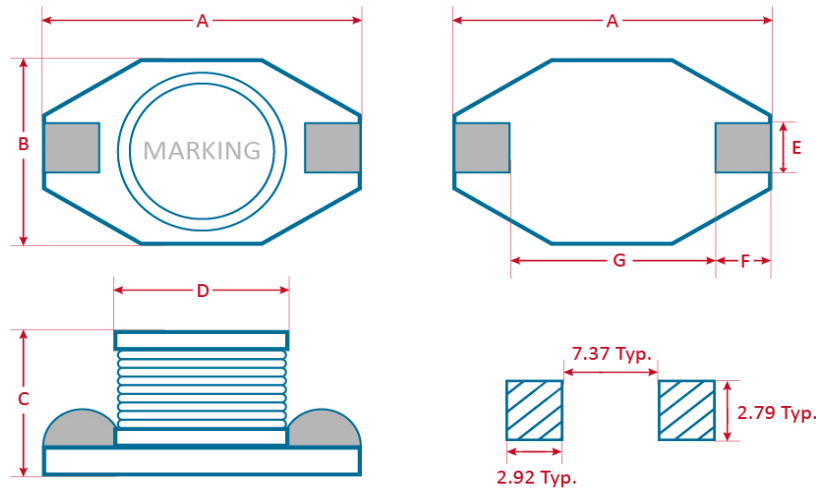


SPECIFICATION FOR APPROVED 樣品承認書

2023
NEW

機構圖 Shape and Dimensions(mm):



Item	A	B	C	D	E	F	G
HEP3308	12.95 ± 0.3	9.4 Max.	3.0 Max.	8.38 ± 0.3	2.54 Typ.	2.54 Typ.	7.62 Typ.

印字Marking : 印字顏色因生產設備而有所差異

HEP3308

Part No.	L(μH)	DCR(Ω) Max.	IDC(A) Typ.	Tolerance (±%)
HEP3308MT100	10	0.11	2.4	20%
HEP3308MT150	15	0.15	2.0	20%
HEP3308MT220	22	0.23	1.6	20%
HEP3308MT330	33	0.30	1.4	20%
HEP3308MT470	47	0.39	1.0	20%
HEP3308MT680	68	0.66	0.9	20%
HEP3308MT101	100	0.84	0.7	20%
HEP3308MT151	150	1.20	0.6	20%
HEP3308MT221	220	1.90	0.5	20%
HEP3308MT331	330	2.70	0.4	20%
HEP3308MT471	470	4.00	0.3	20%
HEP3308MT681	680	5.30	0.2	20%
HEP3308MT102	1000	8.40	0.1	20%

SPECIFICATION FOR APPROVED
樣品承認書

 宏信科技股份有限公司
HT-TECH CORPORATION

2023
NEW

Ordering information

HEP-3308 - MT - 100

(1) (2) (3)(4) (5)

(1) Type : High Power Inductor

(2) Size : 3308 is size

(3) Tolerance : M=20%

(4) Packaging style : Taping Reel

(5) Inductance : 100 for 10uH...

Characteristics

- IDC: Based on Inductance decrease 10% Typ.

- Operating temperature range : -40°C to +125°C

Test equipment

- Test Frequency : 100KHz/0.1V

TAPE AND REEL SPECIFICATIONS

