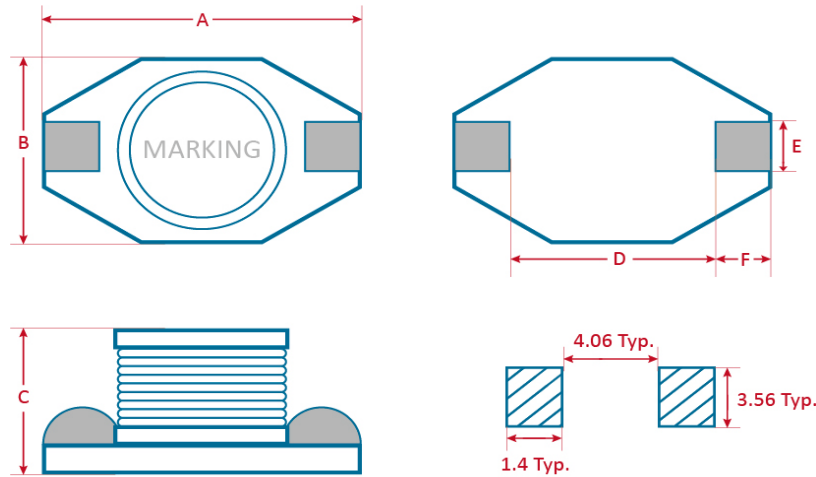




# SPECIFICATION FOR APPROVED 樣品承認書

2023  
NEW

## 機構圖 Shape and Dimensions(mm) :



Item	A	B	C	D	E	F
HEP1608	6.60 Max.	4.45 Max.	2.92 Max.	4.32 Ref.	1.27 Ref.	1.02 Ref.

印字Marking : 印字顏色因生產設備而有所差異

## HEP1608

Part No.	L(uH)	DCR( $\Omega$ ) Max.	IDC(A) Typ.	Tolerance ( $\pm\%$ )
HEP1608MT1R0	1.0	0.05	2.90	20%
HEP1608MT1R5	1.5	0.05	2.60	20%
HEP1608MT2R2	2.2	0.07	2.30	20%
HEP1608MT3R3	3.3	0.08	2.00	20%
HEP1608MT4R7	4.7	0.09	1.50	20%
HEP1608MT6R8	6.8	0.13	1.20	20%
HEP1608MT100	10	0.16	1.10	20%
HEP1608MT150	15	0.23	0.90	20%
HEP1608MT220	22	0.37	0.70	20%
HEP1608MT330	33	0.51	0.58	20%
HEP1608KT470	47	0.64	0.55	10%
HEP1608MT680	68	0.86	0.40	20%
HEP1608MT101	100	1.27	0.31	20%
HEP1608MT151	150	2.00	0.27	20%
HEP1608MT221	220	2.65	0.22	20%
HEP1608MT331	330	3.80	0.18	20%
HEP1608MT471	470	5.06	0.16	20%
HEP1608MT681	680	9.20	0.14	20%
HEP1608MT102	1000	13.80	0.10	20%

# SPECIFICATION FOR APPROVED 樣品承認書

**HT** 宏信科技股份有限公司  
HT-TECH CORPORATION

2023  
NEW

## Ordering information

HEP-1608 - MT - 1R0

(1) (2) (3)(4) (5)

( 1 ) Type : High Power Inductor

( 2 ) Size : 1608 is size

( 3 ) Tolerance : K=10%, M=20%

( 4 ) Packaging style : Taping Reel

( 5 ) Inductance : 1R0 for 1.0uH...

## Characteristics

-IDC: Based on Inductance decrease 10% Typ.

- Operating temperature range : -40°C to +125°C

## Test equipment

- Test Frequency : 100KHz/0.1V

**TAPE AND REEL SPECIFICATIONS**

