

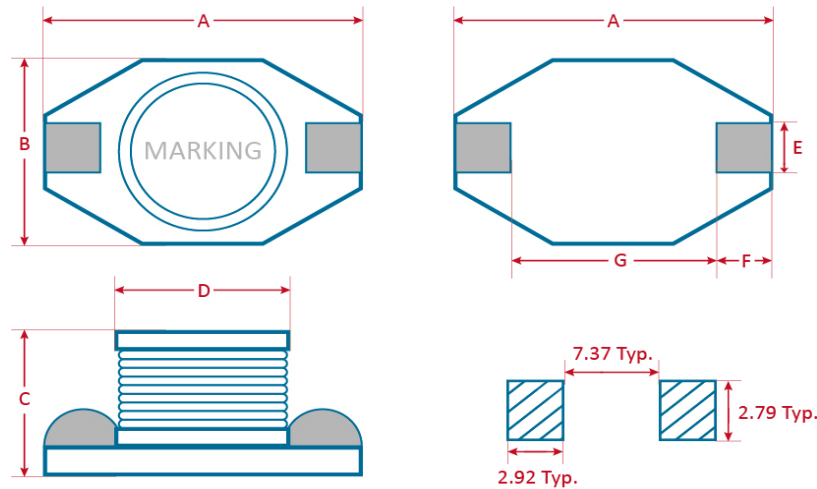
## 製作變更記錄

製作履歷	料號	日期	版本	製作	檢查	審核
1. 系列SPEC 發行	HEP3340系列	2023/5/3	V1	Vincent	Tony	Alan

# SPECIFICATION FOR APPROVED 樣品承認書

2023  
NEW

## 機構圖 Shape and Dimensions(mm):



Item	A	B	C	D	E	F	G
HEP3340	12.95 ± 0.3	9.4 Max.	11.43 Max.	8.38 ± 0.3	2.54 Typ.	2.54 Typ.	7.62 Typ.

印字Marking : 印字顏色因生產設備而有所差異

## HEP3340

Part No.	L(uH)	DCR(Ω) Max.	IDC(A) Typ.	Tolerance (±%)
HEP3340MT100	10	0.04	8.00	20%
HEP3340MT150	15	0.05	7.00	20%
HEP3340MT220	22	0.07	5.50	20%
HEP3340MT330	33	0.08	4.00	20%
HEP3340MT470	47	0.11	3.80	20%
HEP3340MT680	68	0.17	3.00	20%
HEP3340MT101	100	0.22	2.50	20%
HEP3340MT151	150	0.34	2.00	20%
HEP3340MT221	220	0.44	1.60	20%
HEP3340MT331	330	0.70	1.20	20%
HEP3340MT471	470	0.95	1.10	20%
HEP3340MT681	680	1.20	1.00	20%
HEP3340MT102	1000	2.00	0.80	20%

# SPECIFICATION FOR APPROVED 樣品承認書

**HT** 宏信科技股份有限公司  
HT-TECH CORPORATION

2023  
NEW

## Ordering information

HEP-3340 - MT - 100

(1) (2) (3)(4) (5)

- ( 1 ) Type : High Power Inductor
- ( 2 ) Size : 3340 is size
- ( 3 ) Tolerance : M=20%
- ( 4 ) Packaging style : Taping Reel
- ( 5 ) Inductance : 100 for 10uH...

## Characteristics

- IDC: Based on Inductance decrease 10% Typ.
- Operating temperature range : -40°C to +125°C

## Test equipment

- Test Frequency : 100KHz/0.1V

**TAPE AND REEL SPECIFICATIONS**

