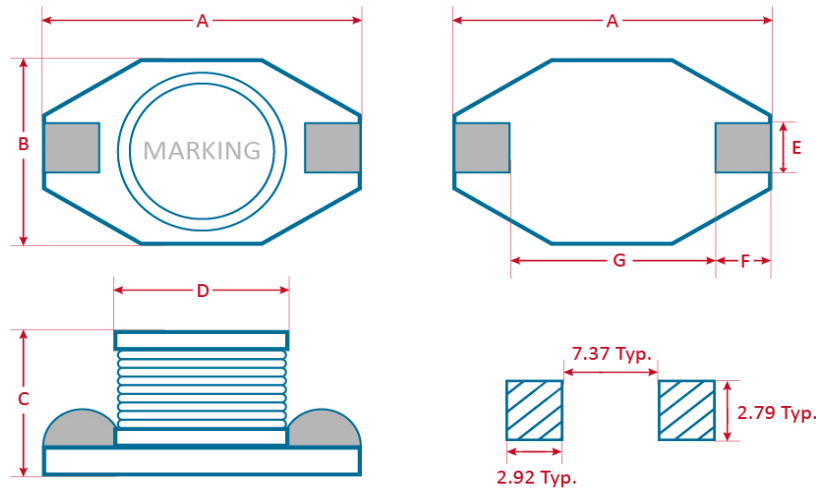




# SPECIFICATION FOR APPROVED 樣品承認書

2023  
NEW

## 機構圖 Shape and Dimensions(mm):



Item	A	B	C	D	E	F	G
HEP3316	12.95 ± 0.3	9.4 Max.	5.21 Max.	8.38 ± 0.3	2.54 Typ.	2.54 Typ.	7.62 Typ.

印字Marking : 印字顏色因生產設備而有所差異

## HEP3316

Part No.	L(uH)	DCR(Ω) Max.	IDC(A) Typ.	Tolerance (±%)
HEP3316MT1R0	1.0	0.009	9.00	20%
HEP3316MT1R5	1.5	0.010	8.00	20%
HEP3316MT2R2	2.2	0.012	7.00	20%
HEP3316MT3R3	3.3	0.015	6.40	20%
HEP3316MT4R7	4.7	0.018	5.40	20%
HEP3316MT6R8	6.8	0.027	4.60	20%
HEP3316MT100	10	0.038	3.80	20%
HEP3316MT150	15	0.046	3.00	20%
HEP3316MT220	22	0.085	2.60	20%
HEP3316MT330	33	0.100	2.00	20%
HEP3316MT470	47	0.140	1.60	20%
HEP3316MT680	68	0.200	1.40	20%
HEP3316MT101	100	0.280	1.20	20%
HEP3316MT151	150	0.400	1.00	20%
HEP3316MT221	220	0.610	0.80	20%
HEP3316MT331	330	1.020	0.60	20%
HEP3316MT471	470	1.270	0.50	20%
HEP3316MT681	680	2.020	0.40	20%
HEP3316MT102	1000	3.000	0.30	20%

SPECIFICATION FOR APPROVED  
樣品承認書

 宏信科技股份有限公司  
HT-TECH CORPORATION

2023  
NEW

**Ordering information**

HEP-3316 - MT - 1R0

(1) (2) (3)(4) (5)

( 1 ) Type : High Power Inductor

( 2 ) Size : 3316 is size

( 3 ) Tolerance : M=20%

( 4 ) Packaging style : Taping Reel

( 5 ) Inductance : 1R0 for 1.0uH...

**Characteristics**

-IDC: Based on Inductance decrease 10% Typ.

- Operating temperature range : -40°C to +125°C

**Test equipment**

- Test Frequency : 100KHz/0.1V

**TAPE AND REEL SPECIFICATIONS**

