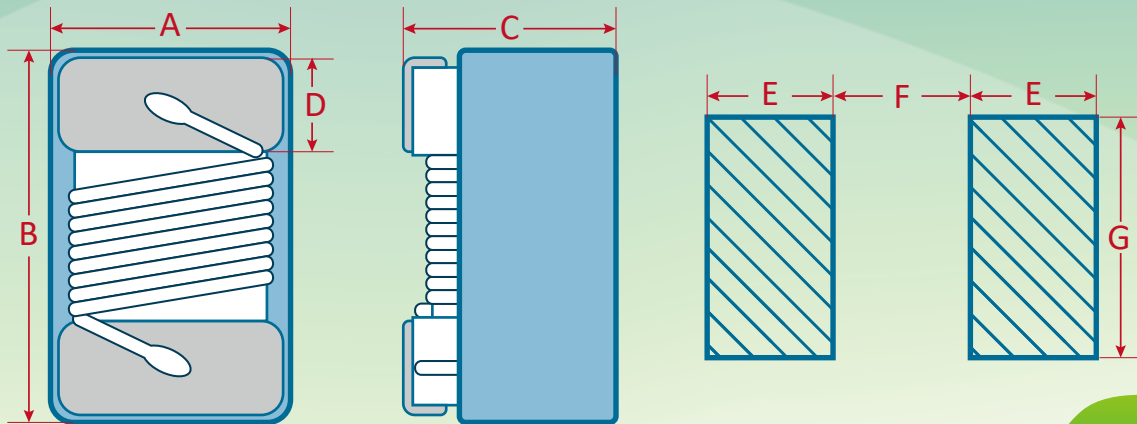


FSR Series

Surface Mountable Type

Shape and Dimensions(mm):



Item	A	B	C	D	E	F	G
FSR02	0.65±0.1	1.15±0.1	0.60±0.05	0.20	0.36	0.46	0.66

FSR02

Part No.	Inductance		DCR(mΩ) ±20%	Isat(A)		Irms(A) Typ.	Tolerance (±%)
	(uH)	(MHz)		Typ.	Max.		
FSR02□T1R0	1.0	1.0	280	1.10	1.00	1.10	M · N
FSR02□T2R2	2.2	1.0	880	0.60	0.50	0.60	M · N
FSR02□T4R7	4.7	1.0	1950	0.35	0.30	0.40	M · N

Ordering information

FSR - 02 - M - T - 1R0

(1) (2) (3) (4) (5)

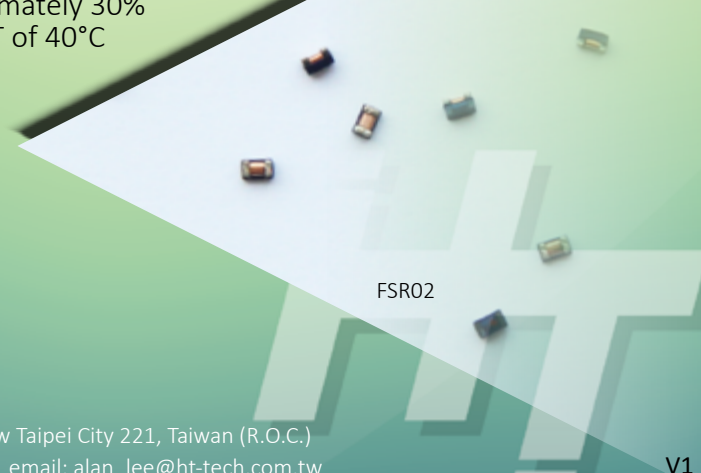
- (1) Type : Surface Mountable Type
- (2) Size : 02 is size
- (3) Tolerance : M=20%, N=30%
- (4) Packaging style : Taping Reel
- (5) Inductance : R33 for 0.33uH, 1R0 for 1.0uH...

Characteristics

- All test data is referred to 25°C ambient.
- Isat : DC current (A) that will cause Lo to drop approximately 30%
- Irms : DC current (A) that will cause an approximate ΔT of 40°C
- Operating temperature range : -40°C to +105°C

Test equipment

- Test Frequency : 1MHz
- L/Q/DCR : E4982A + Agilent 16197A



Packing

