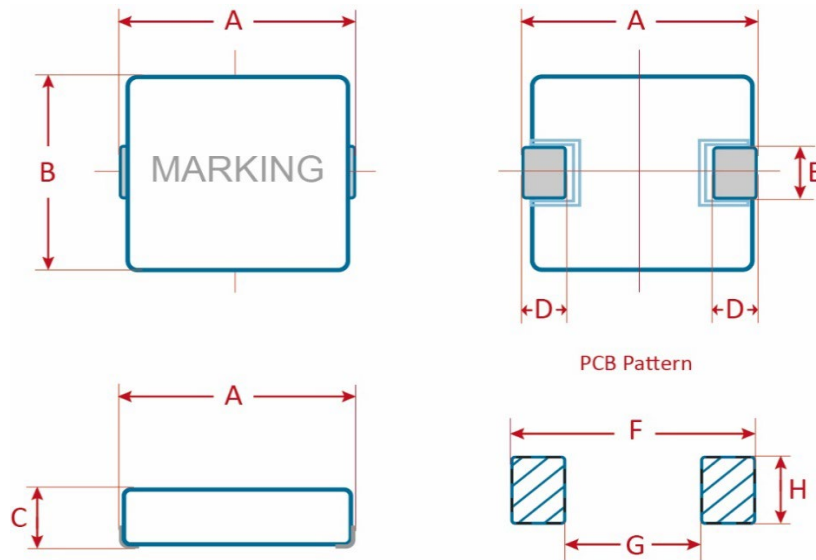


SPECIFICATION FOR APPROVED 樣品承認書

2022
NEW

機構圖 Shape and Dimensions(mm):



Item	A	B	C	D	E	F	G	H
SAB7018	7.3±0.3	6.6±0.3	1.6±0.2	1.6±0.3	3.0±0.3	8.4 Typ.	3.7 Typ.	3.5 Typ.

印字Marking: 印字顏色因生產設備而有所差異

SAB7018

Part No.	L(μH)	DCR(mΩ)		Isat(A)		Irms(A)		Tolerance (±%)
		Max.	Typ.	Typ.	Typ.			
SAB7018MTR22	0.22	3.0	26	16	±20%			
SAB7018MTR33	0.33	5.8	22	14	±20%			
SAB7018MTR47	0.47	7.4	18	12	±20%			
SAB7018MTR68	0.68	11	17	10	±20%			
SAB7018MTR82	0.82	14	15.5	8.5	±20%			
SAB7018MT1R0	1.0	17	14	7.0	±20%			
SAB7018MT1R5	1.5	25.2	13	6.0	±20%			
SAB7018MT2R2	2.2	35	11	6.0	±20%			
SAB7018MT3R3	3.3	46	9.0	5.0	±20%			
SAB7018MT4R7	4.7	76	7.0	4.0	±20%			
SAB7018MT6R8	6.8	104	5.5	3.0	±20%			
SAB7018MT100	10	160	3.5	2.3	±20%			

SPECIFICATION FOR APPROVED 樣品承認書

HT 宏信科技股份有限公司
HT-TECH CORPORATION

2022
NEW

Ordering information

SAB -7018 - MT - R22

(1) (2) (3)(4) (5)

- (1) Type : Power Choke
- (2) Size :7018 is size
- (3) Tolerance : M=20%
- (4) Packaging style : Taping Reel
- (5) Inductance : R22 for 0.22uH,1R0 for 1.0uH,2R2 for 2.2uH...

Characteristics

- All test data is referred to 25°C ambient.
- Isat : DC current (A) that will cause Lo to drop approximately 30% (Typical)
- Irms : DC current (A)that will cause an approximate ΔT of 40°C (Typical)
- Operating temperature range : -40°C to +125°C
- 註 : Absolute maximum voltage 30VDC

Test equipment

- Test Frequency : 100kHz ,1.0 Vrms.

料袋圖

