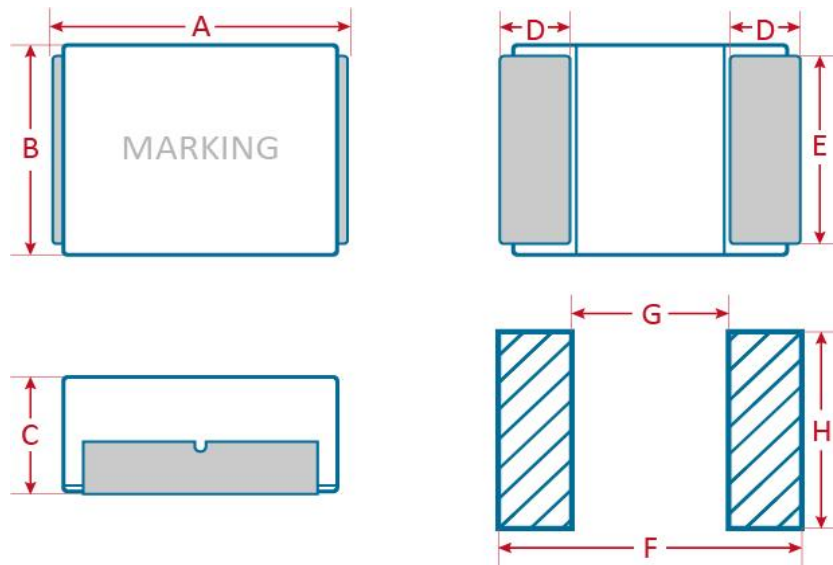


SPECIFICATION FOR APPROVED 樣品承認書

2023
NEW

機構圖 Shape and Dimensions(mm) :



Item	A	B	C	D	E	F	G	H
SAR2213	23.0±0.5	22.0±0.5	12.5±0.5	5.0±0.4	18.5±0.3	23.8 Typ.	12.2 Typ.	19.6 Typ.

印字Marking：印字顏色因生產設備而有所差異

SAR2213

Part No.	L(uH)	DCR(mΩ)		Isat(A)	Irms(A)	Tolerance (±%)
		Typ.	Max.	Typ.	Typ.	
SAR2213MT5R6	5.6	2.06	2.30	38	40	±20%
SAR2213MT6R8	6.8	2.52	3.09	36	36	±20%
SAR2213MT100	10	3.57	4.14	28	28	±20%
SAR2213MT150	15	4.89	6.11	24	23.5	±20%
SAR2213MT220	22	8.50	10.8	27	23	±20%
SAR2213MT330	33	13.50	15.4	17	15	±20%
SAR2213MT820	82	35.79	40	12	10.2	±20%
SAR2213MT101	100	37.8	40	10	9.5	±20%

SPECIFICATION FOR APPROVED 樣品承認書

HT 宏信科技股份有限公司
HT-TECH CORPORATION

2023
NEW

Ordering information

SAR - 2213 - MT - 5R6

(1) (2) (3)(4) (5)

- (1) Type : High Power Inductor
- (2) Size : 2213 is size
- (3) Tolerance : M=20%
- (4) Packaging style : Taping Reel
- (5) Inductance : 5R6 for 5.6uH, 100 for 10uH...

Characteristics

- All test data is referred to 25°C ambient.
- Isat : DC current (A) that will cause L0 to drop approximately 30% (Typical)
- Irms : DC current (A)that will cause an approximate ΔT of 40°C (Typical)
- Operating temperature range : -55°C to +125°C

註 : Absolute maximum voltage 30VDC

Test equipment

- Test Frequency : 100KHz
- L : Wayne kerr 3260B LCR meter with Wayne kerr 3265B bias current source source. -
- DCR: Chroma16502 Milliohm Meter

TAPE AND REEL SPECIFICATIONS

