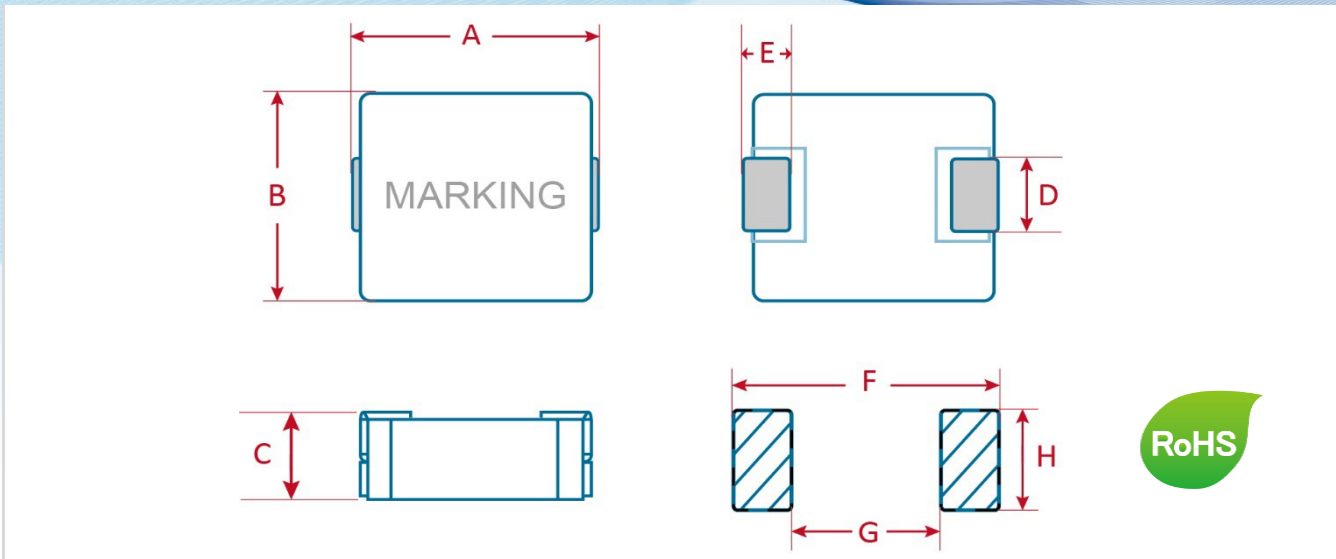




SPECIFICATION FOR APPROVED  
**樣品承認書**

2022  
 NEW

機構圖 Shape and Dimensions(mm) :



Item	A	B	C	D	E	F	G	H
SAR8040	8.5 ± 0.5	8.0 ± 0.4	3.8 ± 0.2	3.0 ± 0.3	1.6 ± 0.5	9.6 Typ.	4.8 Typ.	3.5 Typ.

印字Marking : 印字顏色因生產設備而有所差異

**SAR8040**

Part No.	L(μH)	DCR(mΩ)		Isat(A)	Irms(A)	Tolerance (±%)
		Typ.	Max.	Typ.	Typ.	
SAR8040MTR22	0.22	1.57	1.68	45.00	30.70	±20%
SAR8040MTR33	0.33	2.00	2.14	36.00	29.50	±20%
SAR8040MTR47	0.47	2.45	2.65	31.50	25.00	±20%
SAR8040MTR68	0.68	2.90	3.20	29.00	20.00	±20%
SAR8040MT1R0	1.00	3.70	4.10	24.50	18.00	±20%
SAR8040MT1R5	1.50	4.90	5.40	22.50	16.00	±20%
SAR8040MT2R2	2.20	8.50	9.35	20.40	11.40	±20%
SAR8040MT3R3	3.30	14.00	15.40	17.40	9.00	±20%
SAR8040MT4R7	4.70	16.10	17.70	15.10	8.50	±20%
SAR8040MT6R8	6.80	23.50	25.90	11.00	6.90	±20%
SAR8040MT100	10.00	41.60	45.80	9.10	5.20	±20%
SAR8040MT150	15.00	55.00	60.50	7.70	4.50	±20%
SAR8040MT220	22.00	76.00	84.00	6.70	3.80	±20%
SAR8040MT330	33.00	118.00	129.80	5.30	3.10	±20%

# SPECIFICATION FOR APPROVED 樣品承認書

**HT** 宏信科技股份有限公司  
HT-TECH CORPORATION

2022  
NEW

## Ordering information

SAR - 8040 - MT - R33

(1) (2) (3)(4) (5)

- ( 1 ) Type : High Power Inductor
- ( 2 ) Size : 8040 is size
- ( 3 ) Tolerance : M=20%
- ( 4 ) Packaging style : Taping Reel
- ( 5 ) Inductance : R33 for 0.33uH,1R0 for 1.0uH,2R2 for 2.2uH...

## Characteristics

- All test data is referred to 25°C ambient.
- Isat : DC current (A) that will cause Lo to drop approximately 30% (Typical)
- Irms : DC current (A)that will cause an approximate  $\Delta T$  of 40°C (Typical)
- Operating temperature range : -55°C to +125°C

註： Absolute maximum voltage 30VDC

## Test equipment

- Test Frequency : 100KHz

**TAPE AND REEL SPECIFICATIONS**

